

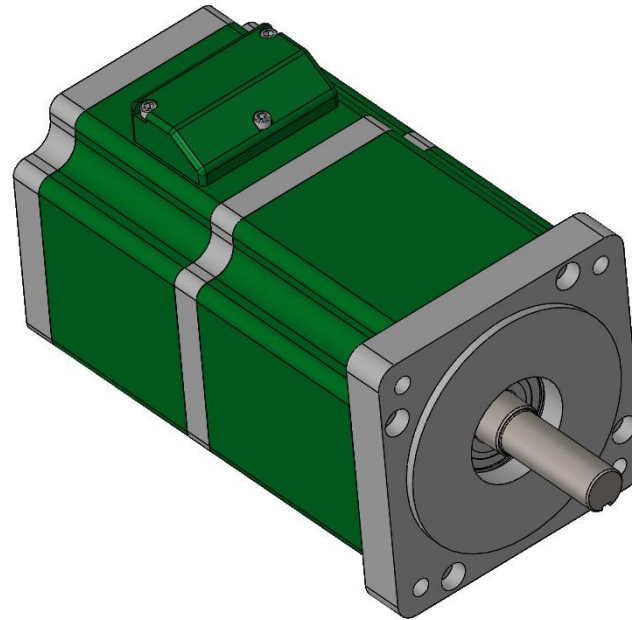
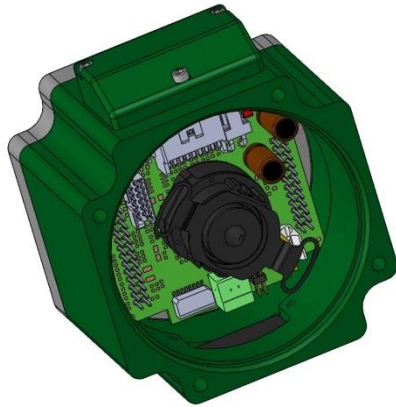
ADVANCED MOTION CONTROLS

3805 Calle Tecate; Camarillo, CA 93012
805-389-1935 www.a-m-c.com

Two Motion Control Companies

One Common Vision

Quality USA Manufacturing



DC Servo Motor & Drive Solutions

Magnetic or Optical Encoders

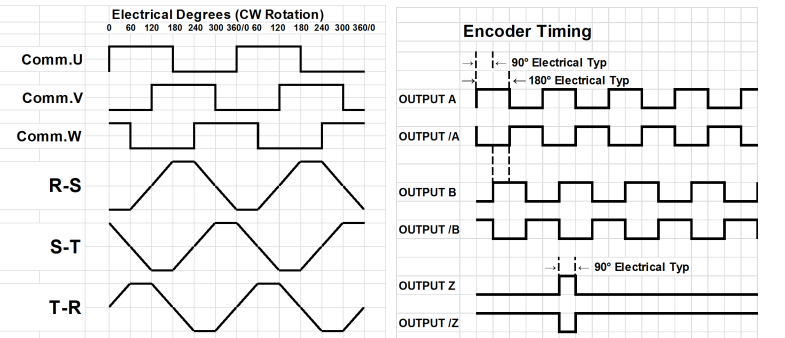
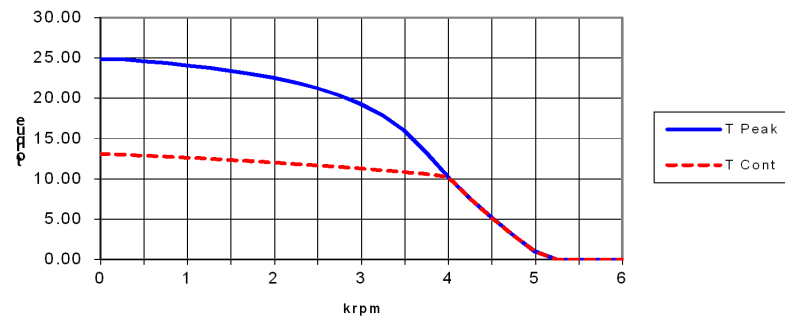
DZCANTE-020L080: RS232, CAN Open

Nema 34 model shown



5201 East River Road, Suite 303; Fridley, MN 55421
763-432-7195 www.trutechmotors.com

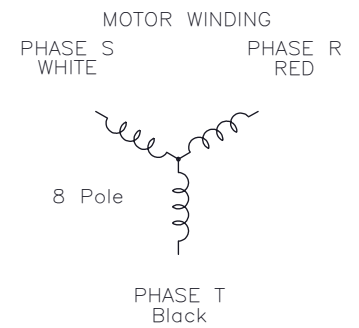
MT0861k15.6-E1000B				
Property	Symbol	Units	Value	Tolerance
Buss Voltage	Vb	Volts	80	MAX
Max Operating Speed	Sr	RPM	6000	MAX
Peak Torque	Tp	Lb*in	25.01	MAX
Continious Torque	Tc	Lb*in	15.01	MAX
Torque Constant	Kt	Lb*in/A	1.25	±10%
Friction Torque	Tf	Lb*in	0.5	Nom
Damping Torque	Kd	li/kRPM	0.05	Nom
Peak Current	Ip	A MAX	20	MAX
Continious Current	Ic	A MAX	12	MAX
Back EMF Constant	Ke	V/kRPM	15.6	±10%
Terminal Resistance	Rt	Ohms	0.436	±15%
Terminal Inductance	Lt	mH	0.680	±15%
Rotor Inertia	Jr	LISS	0.00086	Nom
Winding Temperature	deg C	deg C	145	MAX
Weight	Wt	Lbs	5.5	Nom



I/O Pinout		
Pin	Function	Color
1	+5 Logic	Red
2	GND	Blk
3	PDI-3	Wht
4	PAI-1 + (REF +)	Org
5	PDI-2	Blu
6	PAI-1 - (REF -)	Wht/Org
7	PDI-1	Grn
8	PDO-3	Wht/Red
9	GND	Gray
10	PDO-2	Wht/Blk
11	PDI-5+	Yel
12	PDO-1	Violet
13	PDI-5-	Wht/Yel
14	PDI-4+	Brn
15	GND	Shield
16	PDI-4-	Wht/Brn

Optical Encoder to Drive Pinout		
Pin	Function	Color
1	Hall W	Wht/Org
2	GND	N.C.
3	Hall U	Vio
4	Hall V	Wht/Brn
5	Z	Org
6	Z'	Yel
7	B	Blu
8	B'	Grn
9	A	Brn
10	A'	Wht
11	+5	Red
12	GND	Blk

Enc/Comm Cable 28 AWG	
Function	Color
+5v	Red
Gnd	Black
U	Violet
none	Gray
V	Wht/Brn
none	Wht/Red
W	Wht/Drn
none	Wht/Yel
A	Brown
/A	White
B	Blue
/B	Green
Z	Drn
/Z	Yellow
shield	drain



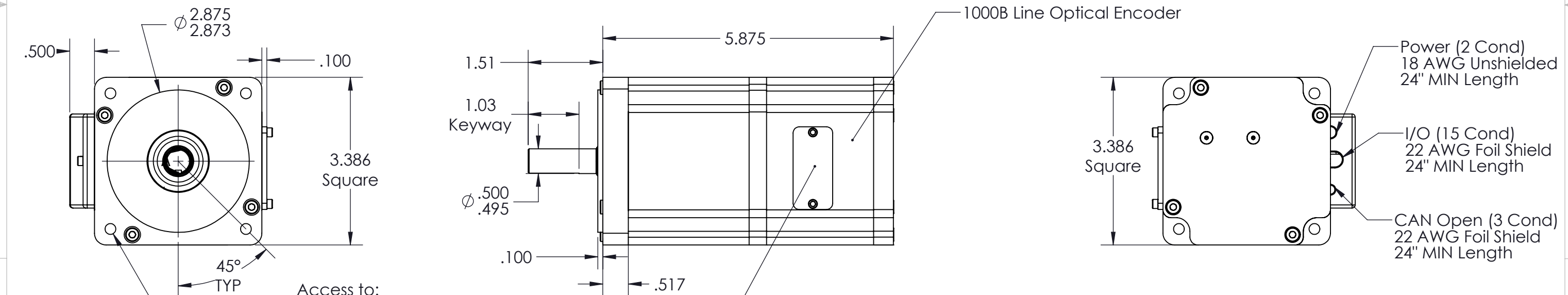
RS-232 Pinout	
Pin	Function
1	Receive Line
2	Transmit Line
3	GND

CAN Pinout		
Pin	Function	Color
1	GND	Blk
2	CAN Low Bus Line	Brn
3	CAN H Bus Line	Red

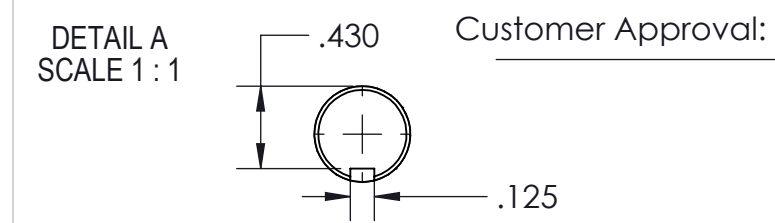
Power Connector Pinout		
Pin	Function	Color
1	High Voltage	Red
2	GND	Black

Assembly Notes:

- 1 Motor Phase Leads (18 AWG) to be cut 1.125"/1.25" (see 45-0194-016)
- 2 Optical Encoder cable to be 3" Max (see 29-0118)



Access to:
 1. RS-232
 2. Drive Dip Switch's
 3. Magnetic Encoder Chip Programmer (N.A.)



Customer Approval: _____

PROPRIETARY AND CONFIDENTIAL
 THE INFORMATION CONTAINED IN THIS DRAWING IS CONFIDENTIAL AND THE SOLE PROPERTY OF TRU TECH SPECIALTY MOTORS. ANY REPRODUCTION IN PART OR AS A WHOLE WITHOUT THE WRITTEN PERMISSION OF TRU TECH SPECIALTY MOTORS IS PROHIBITED.

DATE	Revision	UNLESS OTHERWISE SPECIFIED:
P1	Prototype	DIMENSIONS: INCHES [Millimeters]
P2	Modified Components	TOLERANCES: ANGULAR: ±1/2° TWO PLACE DECIMAL ±.01[.25] THREE PLACE DECIMAL ±.005[.13]
P3	Corrected Encoder Pinout	Motor Class
P4	Added new components	Production Level: Prototype
P5	Corrected Power Pinout	Material:
P6	Corrected Enc to Drive Pinout	Project: AMC

TruTech Specialty Motors

DRAWN	NAME	DATE	TITLE:
CHECKED	Matt	3/14/2014	MT0861k15.6-E1000B
ENG APPR.			Motor/Drive
COMMENTS:			
SIZE	Part Number:	REV	
B	53-0291	P6	
SCALE: 1:2			SHEET 1 OF 1