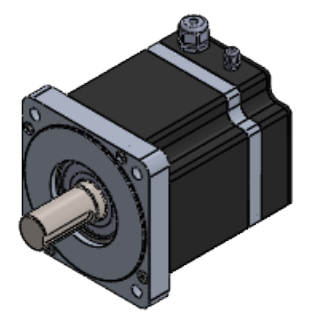
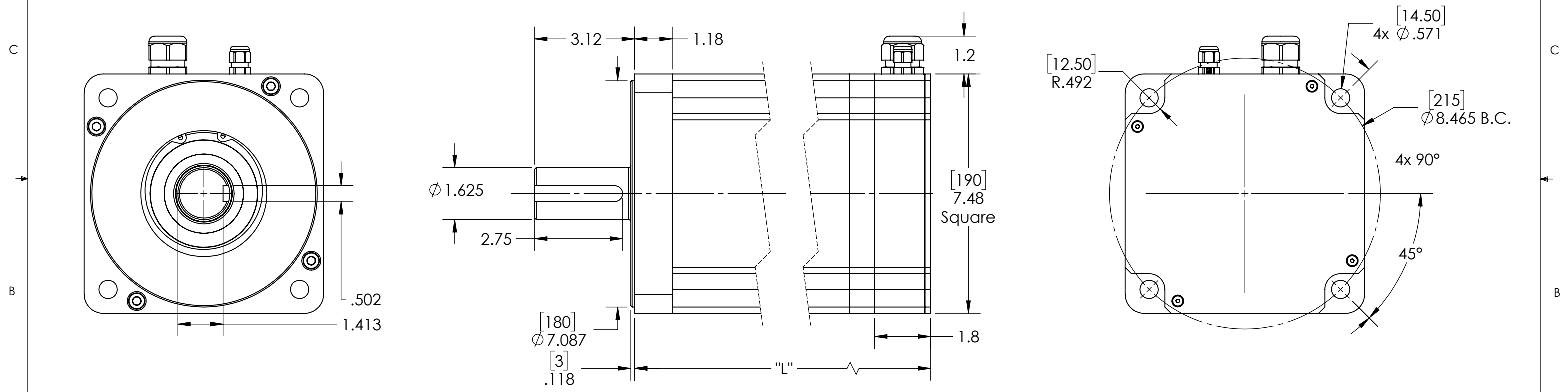


Motor Lengths		Model	Voltage MAX (V)	Speed MAX (PRM)	Continuous Torque MAX (lb-in[Nm])	Peak Torque MAX (lb-in[Nm])	Operating Temp. MAX(°C)	OPTIONS AVAILABLE UPON REQUEST: - FRONT SHAFT SEALS - TEMPERATURE SENSING - THERMISTOR - THERMOSTAT - CUSTOM OUTPUT SHAFT - CUSTOM ENCAPS - CONNECTORS
Stack Size	Length "L" in							
1 Stack	6.353	MT190-1	325	4000	150 [16.95]	375 [42.37]	145	
2 Stack	7.373	MT190-2	325	4000	300 [33.90]	750 [84.75]	145	
3 Stack	8.353	MT190-3	325	4000	450 [50.85]	1125 [127.12]	145	
4 Stack	9.353	MT190-4	325	4000	600 [67.80]	1500 [169.49]	145	



Customer Approval: \_\_\_\_\_

REVISIONS			
DESCRIPTION	REV.	DATE	APPV'D
PRELIMINARY	P1	12/11/2017	JAL

**PROPRIETARY AND CONFIDENTIAL**  
THE INFORMATION CONTAINED IN THIS DRAWING IS CONFIDENTIAL AND THE SOLE PROPERTY OF TRU TECH SPECIALTY MOTORS. ANY REPRODUCTION IN PART OR AS A WHOLE WITHOUT THE WRITTEN PERMISSION OF TRU TECH SPECIALTY MOTORS IS PROHIBITED.

**UNLESS OTHERWISE SPECIFIED**  
DIMENSIONS: Inches [MILLIMETERS]  
TOLERANCES:  
LINEAR X.XX:  $\pm .01$  [.25]  
LINEAR X.XXX:  $\pm .005$  [.13]  
ANGULAR:  $\pm 1/2^\circ$

**TruTech Specialty Motors**  
DESCRIPTION:  
**MT190 MOTOR SERIES, NEMA 215**

MATERIAL	ERROR!:Material	BY	DATE	PART NUMBER:	P1
FINISH	ERROR!:Finish	DRAWN	JAL	12/08/2017	REV
PROJECT	FastTrack 190	CHK'D	BS	12/08/2017	
STATUS	Preliminary	APPV'D	TP	12/11/2017	

MT\_190\_K\_\_\_\_-\_\_\_\_\_  
Last Save: 12/11/2017 3:33:40 PM SCALE:1:3 SHEET 1 OF 1