

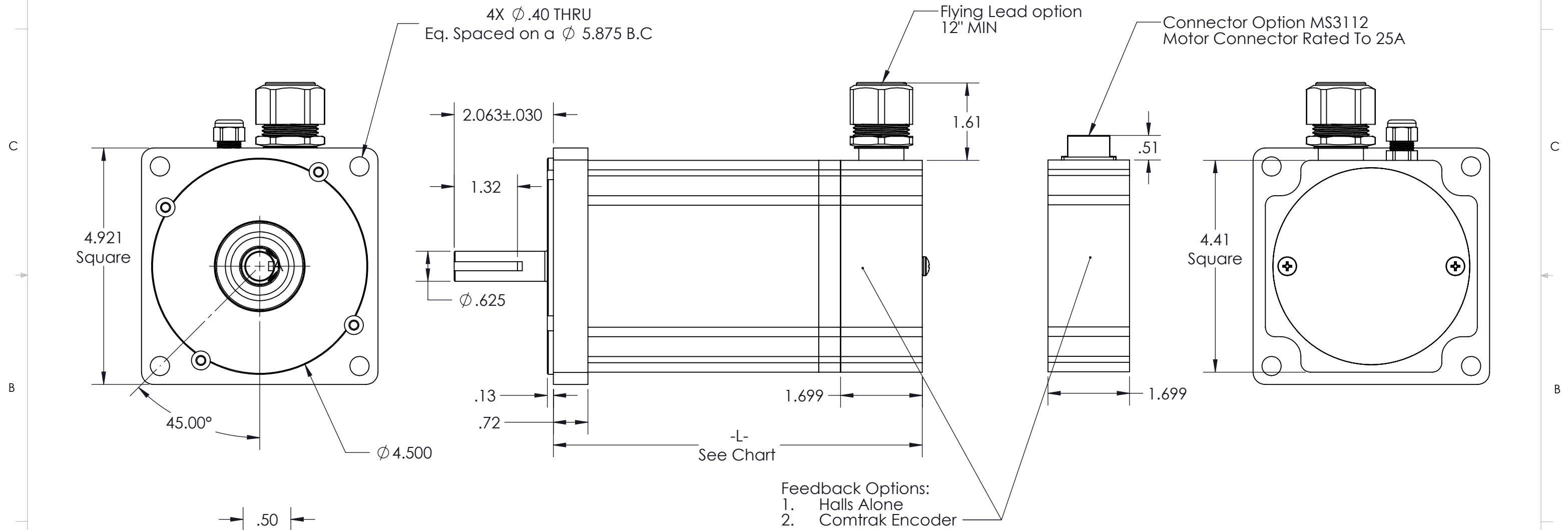
Motor Lengths	
Stack Size	Length -L- [in]
1 Stack	6.280
2 Stack (Shown)	7.678
3 Stack	9.076
4 Stack	10.474

MOTOR MODEL	MAX VOLTAGE (V)	MAX SPEED (RPM)	MAX CONTINUOUS TORQUE (LB-IN)	MAX PEAK TORQUE (LB-IN)	MAX OPERATING TEMP (C°)
MT110-1	325	4000	32.5	120	145
MT110-2	325	4000	65	240	145
MT110-3	325	4000	97	360	145
MT110-4	325	4000	128	480	145

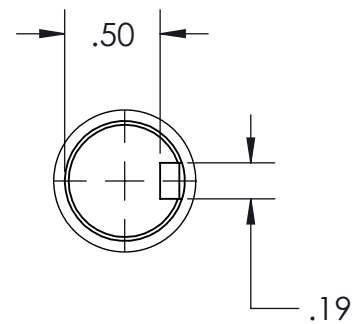
Other options available upon request:

- Front shaft seal
- Thermostat or Thermistor

◇ MT110 2 Stack Shown



DETAIL A
SCALE 1:1



MT110, 8 Pole

UNLESS OTHERWISE SPECIFIED:		<i>TruTech Specialty Motors</i>		
DIMENSIONS: INCHES [Millimeters]		NAME	DATE	TITLE:
TOLERANCES: ANGULAR: \pm 1/2° TWO PLACE DECIMAL \pm .01 [.25] THREE PLACE DECIMAL \pm .005 [.13]		DRAWN	CR	5/19/2016
Motor Class		CHECKED		
MT110		ENG APPR.		
Production Level: Active		PROPRIETARY AND CONFIDENTIAL THE INFORMATION CONTAINED IN THIS DRAWING IS CONFIDENTIAL AND THE SOLE PROPERTY OF TRU TECH SPECIALTY MOTORS. ANY REPRODUCTION IN PART OR AS A WHOLE WITHOUT THE WRITTEN PERMISSION OF TRU TECH SPECIALTY MOTORS IS PROHIBITED.		
Material:				
Project: FastTrack		SIZE	Part Number:	REV
		B	53-XXXX	A
		SCALE: 1:5	SHEET 1 OF 1	