

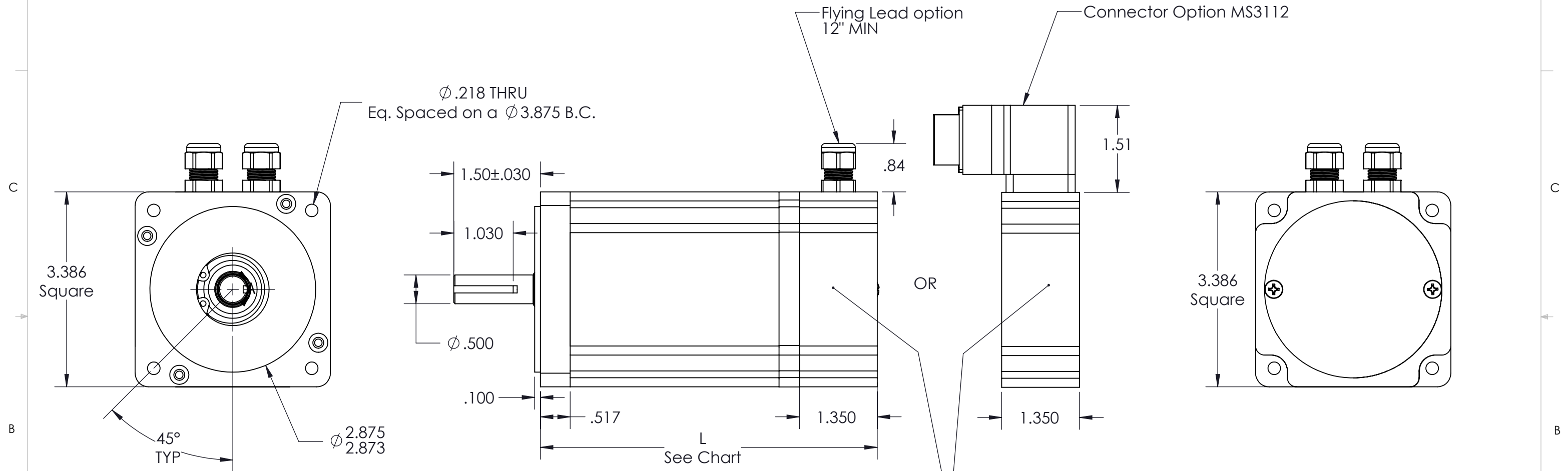
Motor Lengths	
Stack Size	Length -L- [in]
1 Stack	4.662
2 Stack (Shown)	5.843
3 Stack	7.024
4 Stack	8.205

MOTOR MODEL	MAX VOLTAGE (V)	MAX SPEED (RPM)	MAX CONTINUOUS TORQUE (LB-IN)	MAX PEAK TORQUE (LB-IN)	MAX OPERATING TEMP (C°)
HS086-1	325	8000	9	22.5	145
HS086-2	325	8000	18	45	145
HS086-3	325	8000	25	62.5	145
HS086-4	325	8000	30	75	145

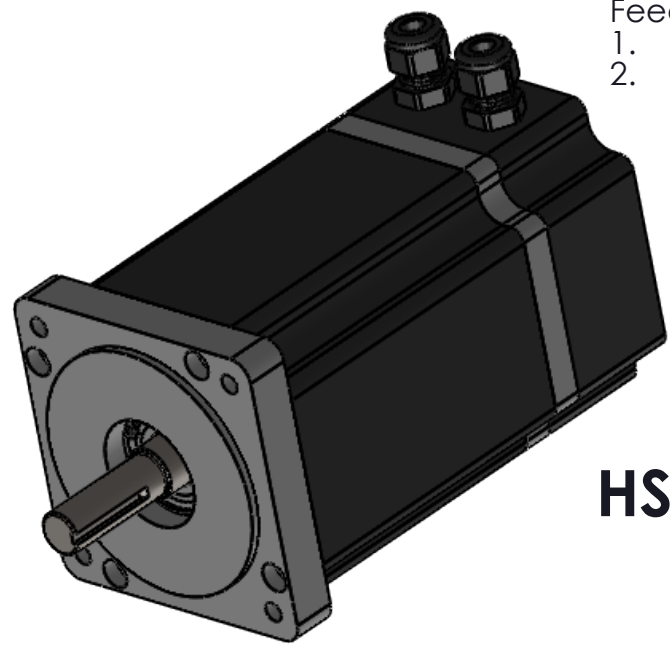
Other options available upon request:

- Front shaft seal
- Thermostat or Thermistor

◇ HS086 2 Stack Shown



HS086, 4 Pole



DETAIL A
SCALE 6 : 5

UNLESS OTHERWISE SPECIFIED:		<i>TruTech Specialty Motors</i>		
DIMENSIONS: INCHES [Millimeters]		NAME	DATE	TITLE:
TOLERANCES: ANGULAR: ±1/2° TWO PLACE DECIMAL ±.01 [.25] THREE PLACE DECIMAL ±.005 [.13]		DRAWN	CR	5/17/2016
Motor Class		CHECKED		
Production Level:		ENG APPR.		
Material:		PROPRIETARY AND CONFIDENTIAL THE INFORMATION CONTAINED IN THIS DRAWING IS CONFIDENTIAL AND THE SOLE PROPERTY OF TRU TECH SPECIALTY MOTORS. ANY REPRODUCTION IN PART OR AS A WHOLE WITHOUT THE WRITTEN PERMISSION OF TRU TECH SPECIALTY MOTORS IS PROHIBITED.		
Project: FastTrack				
		SIZE	Part Number:	REV
		B	53-XXXX	A
		SCALE: 3:5	SHEET 1 OF 1	