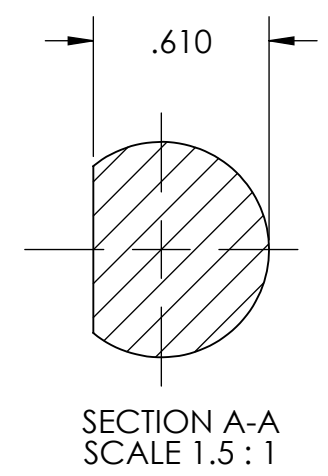


GEARBOX PARAMETERS @25°C		
REDUCTION RATIO		20:1
NUMBER OF STAGES		2
CONTINUOUS TORQUE	Nm	90
AXIAL LOAD/RADIAL LOAD	N	1000/4000
GEARBOX EFFICIENCY		81%



REVISIONS			
DESCRIPTION	REV.	DATE	APPVD
PRELIMINARY	P1	2/15/2017	

UNLESS OTHERWISE SPECIFIED
 DIMENSIONS:
 Inches [MILLIMETERS]
 TOLERANCES:
 LINEAR X.XX: ±.01 [.25]
 LINEAR X.XXX: ±.005 [.13]
 ANGULAR: ± 1/2°

TruTech Specialty Motors

THE INFORMATION CONTAINED IN THIS DRAWING IS CONFIDENTIAL AND THE SOLE PROPERTY OF TRU TECH SPECIALTY MOTORS. ANY REPRODUCTION IN PART OR AS A WHOLE WITHOUT THE WRITTEN PERMISSION OF TRU TECH SPECIALTY MOTORS IS PROHIBITED.

SIZE	TITLE:		DATE	SIGNATURE	PART NUMBER:	P1 REV
B	GEAR BOX 20:1		2/15/2017	JAL	53-0390	
MATERIAL	"SW-Material@Part1.SLDPRT"	DATE	SIGNATURE	PART NUMBER:	SCALE:1:1.5 SHEET 1 OF 1	
FINISH		DRAWN	2/15/2017	JAL		
PROJECT		CHK'D				
STATUS		APP'VD				