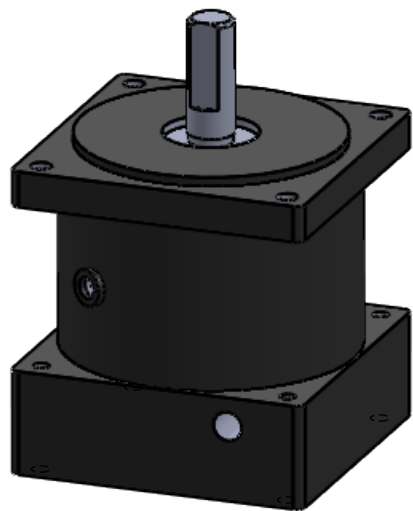
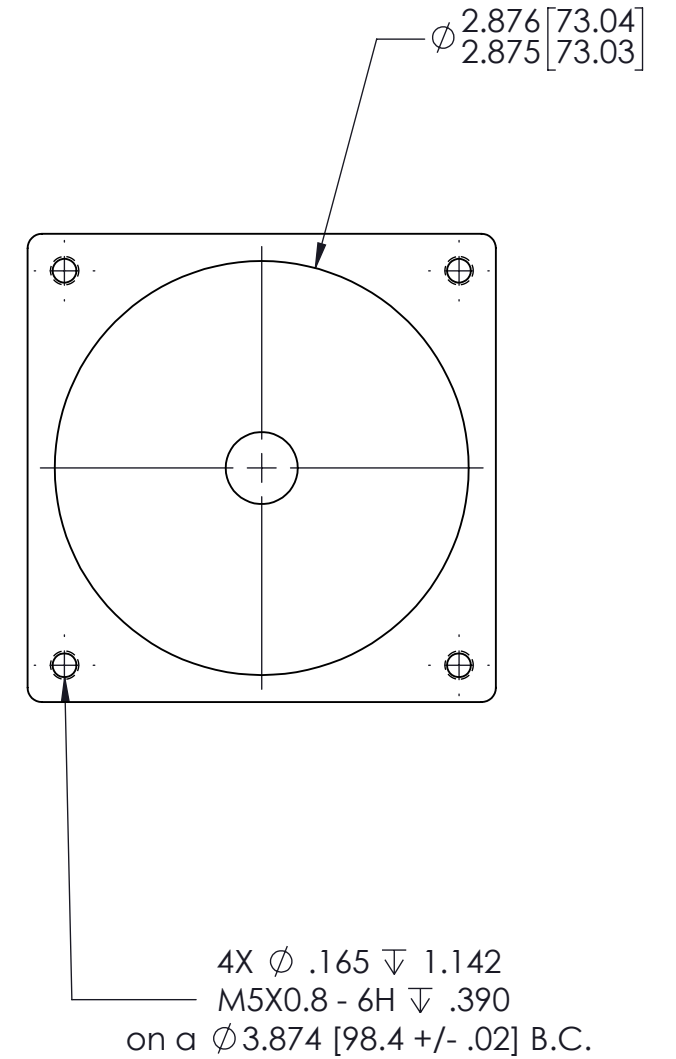
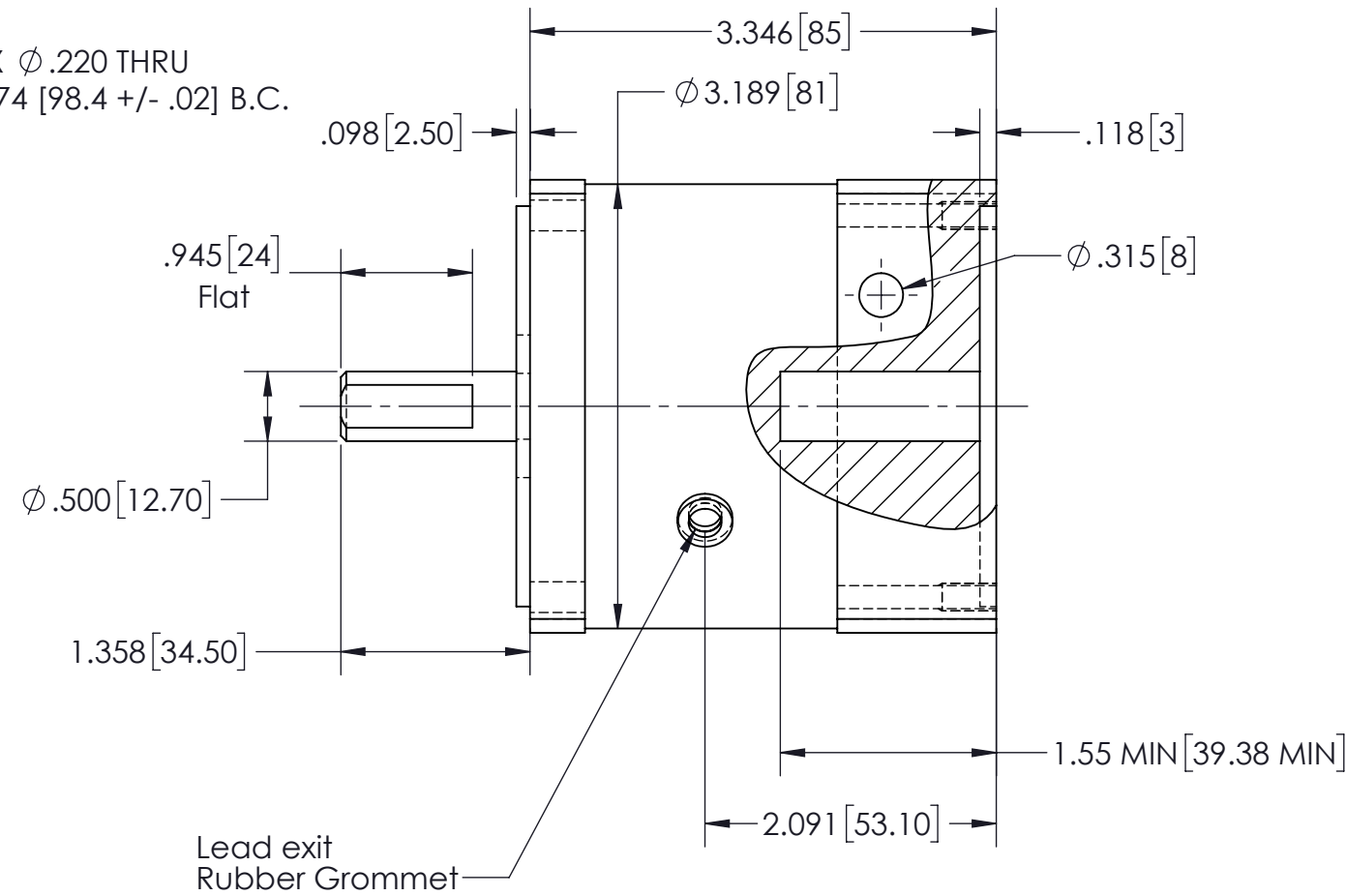
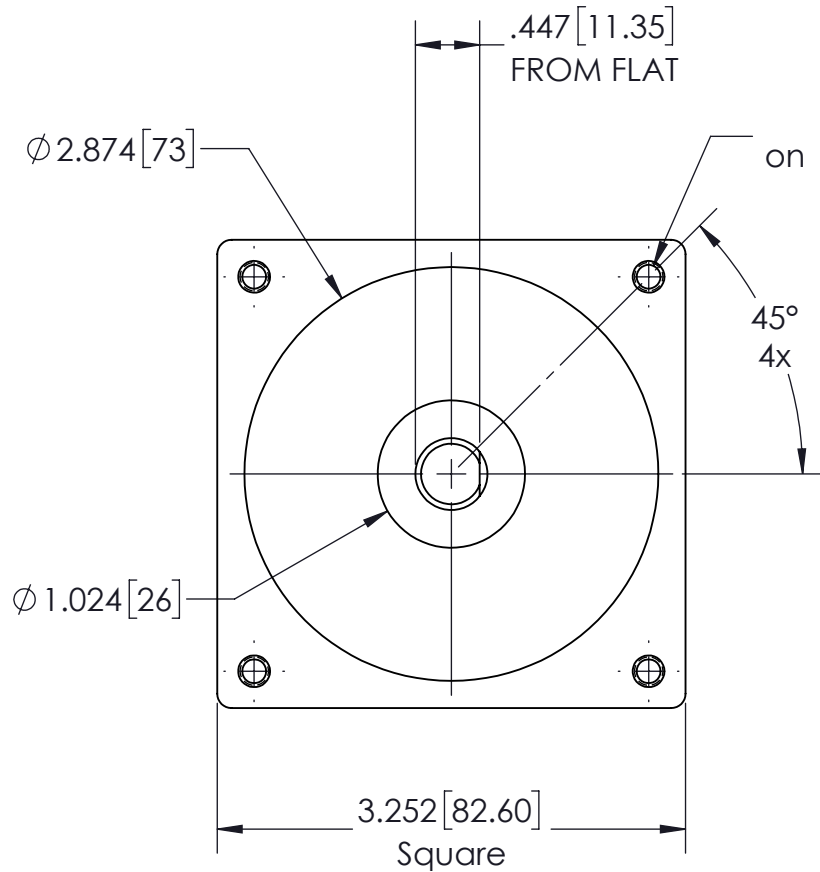


Brake Characteristics					
Voltage	Resistance	Current	Static Torque	Power	Weight
VDC	Ohms	A	N*m	W	g
48	58	0.41	1.68	9.8	500



REVISIONS			
DESCRIPTION	REV.	DATE	APPVD
TO SOLIDWORKS	P1	2/9/2017	

PROPRIETARY AND CONFIDENTIAL
 THE INFORMATION CONTAINED IN THIS DRAWING IS CONFIDENTIAL AND THE SOLE PROPERTY OF TRU TECH SPECIALTY MOTORS. ANY REPRODUCTION IN PART OR AS A WHOLE WITHOUT THE WRITTEN PERMISSION OF TRU TECH SPECIALTY MOTORS IS PROHIBITED.

UNLESS OTHERWISE SPECIFIED	
DIMENSIONS: Inches [MILLIMETERS]	
TOLERANCES: LINEAR X.XX: $\pm .01$ [.25] LINEAR X.XXX: $\pm .005$ [.13] ANGULAR: $\pm 1/2^\circ$	
MATERIAL	
FINISH	
PROJECT	
STATUS	

TruTech Specialty Motors

SIZE: **B**
 TITLE: **EXMEK NEMA 34 BRAKE 48V IP65, 2.25M LEADS**

DATE	SIGNATURE	PART NUMBER:	P1
2/13/2017	JAL	53-0389	REV

SCALE: 3:4 SHEET 1 OF 1