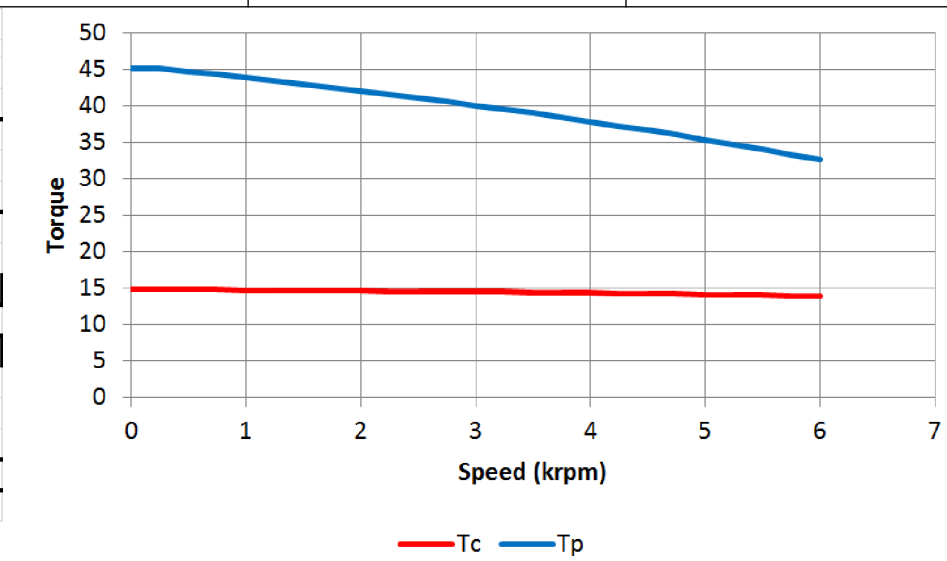
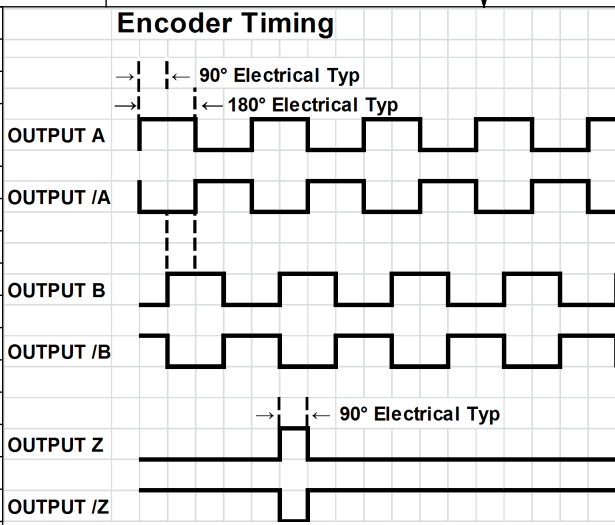
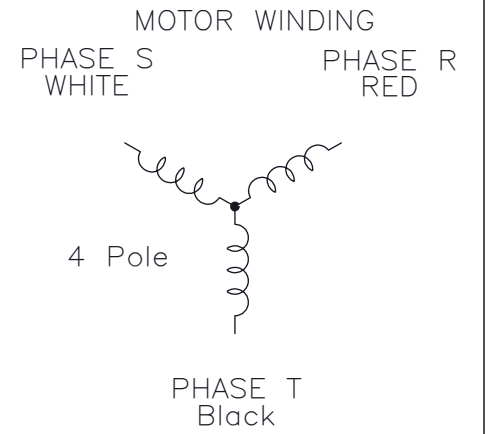
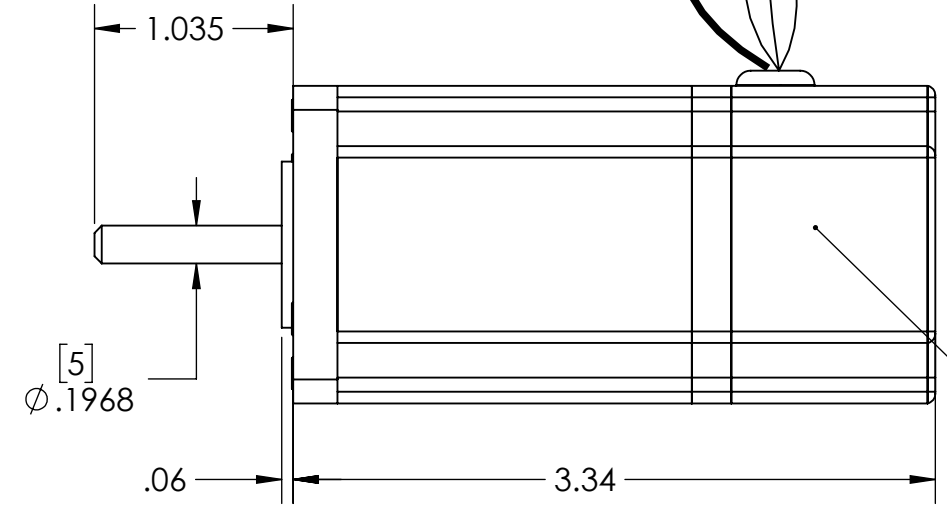
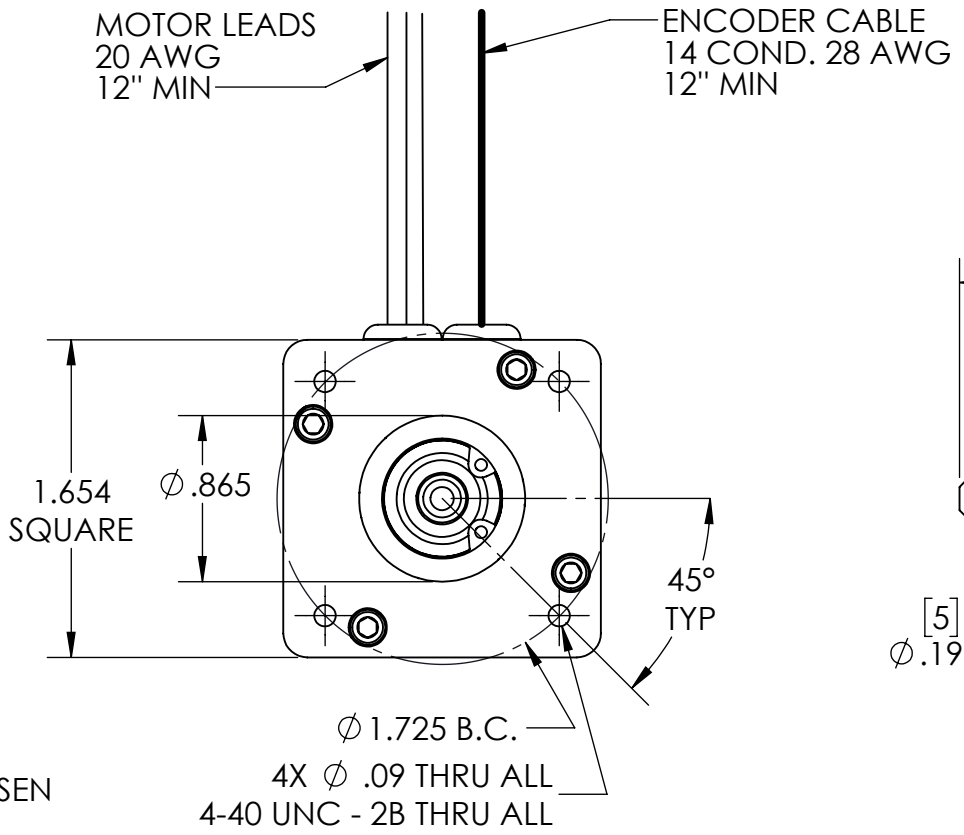
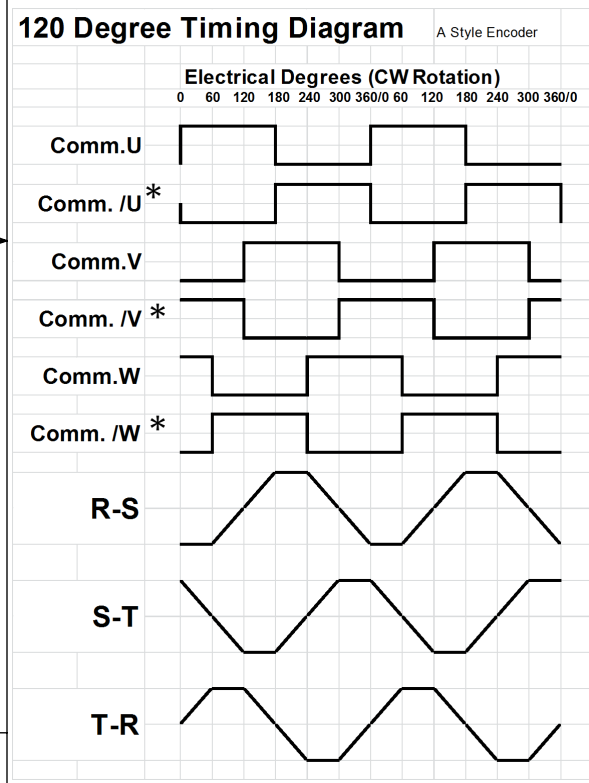


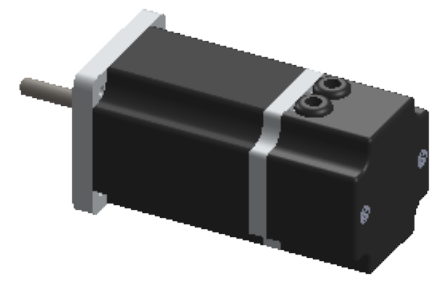
MTF0401K5.68				
Property	Symbol	Units	Value	Tolerance
Buss Voltage	Vb	Volts	170	MAX
Max Operating Speed	Sr	RPM	10000	MAX
Peak Torque	Tp	Oz-in	45.6	MAX
Continuous Torque	Tc	Oz-in	17.024	MAX
Torque Constant	Kt	Oz-in/A	8.31	±10%
Friction Torque	Tf	Oz-in	.4	Nom
Damping Torque	Kd	Oi/kRPM	.08	Nom
Peak Current	Ip	A MAX	5.49	MAX
Continuous Current	Ic	A MAX	2.05	MAX
Back EMF Constant	Ke	V/kRPM	6.48	±10%
Terminal Resistance	Rt	Ohms	10.73	±15%
Terminal Inductance	Lt	mH	11.11	±15%
Rotor Inertia	Jr	Oiss	.0002	Nom
Winding Temperature	deg C	deg C	135	MAX
Weight	Wt	Lbs		Nom



Enc/Comm Cable 28 AWG	
Function	Color
+5v	Red
Gnd	Black
U	Violet
/U*	Gray
V	Wht/Brn
/V*	Wht/Red
W	Wht/Orn
/W*	Wht/Yel
A	Brown
/A	White
B	Blue
/B	Green
Z	Orn
/Z	Yellow
shield	drain



\* ONLY IF ( A ) STYLE ENCODER IS CHOSEN



REVISIONS			
DESCRIPTION	REV.	DATE	APPV'D
TO SOLIDWORKS	P1	1/12/2017	

**PROPRIETARY AND CONFIDENTIAL**  
THE INFORMATION CONTAINED IN THIS DRAWING IS CONFIDENTIAL AND THE SOLE PROPERTY OF TRU TECH SPECIALTY MOTORS. ANY REPRODUCTION IN PART OR AS A WHOLE WITHOUT THE WRITTEN PERMISSION OF TRU TECH SPECIALTY MOTORS IS PROHIBITED.

**UNLESS OTHERWISE SPECIFIED**  
DIMENSIONS: Inches [MILLIMETERS]  
TOLERANCES:  
LINEAR X.XX: ±.01 [.25]  
LINEAR X.XXX: ±.005 [.13]  
ANGULAR: ± 1/2°

MATERIAL	
FINISH	
PROJECT	Fastrack
STATUS	ACTIVE

**TruTech Specialty Motors**

SIZE: **B** TITLE: HSF0402K6.48-E1000B

DATE	SIGNATURE	PART NUMBER:	P1
1/11/2017	JAL	53-0383	REV
SCALE: 1:1	SHEET 1 OF 1		