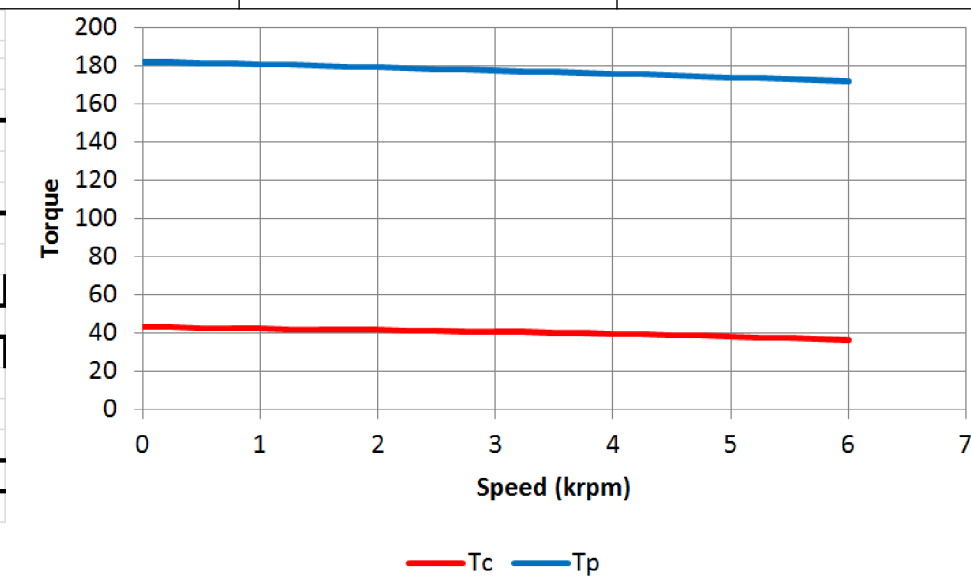
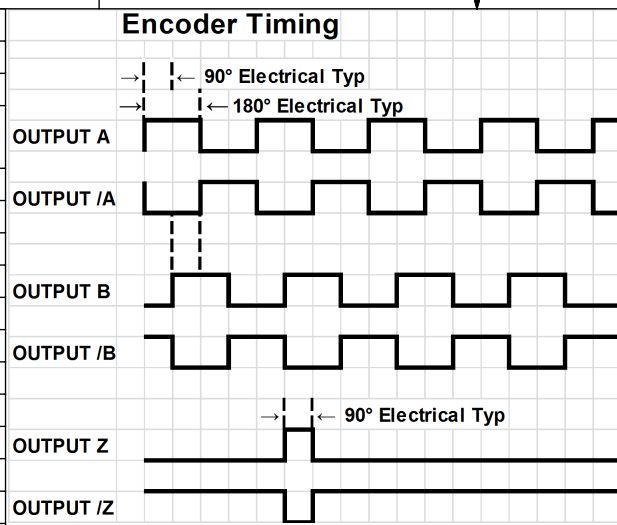
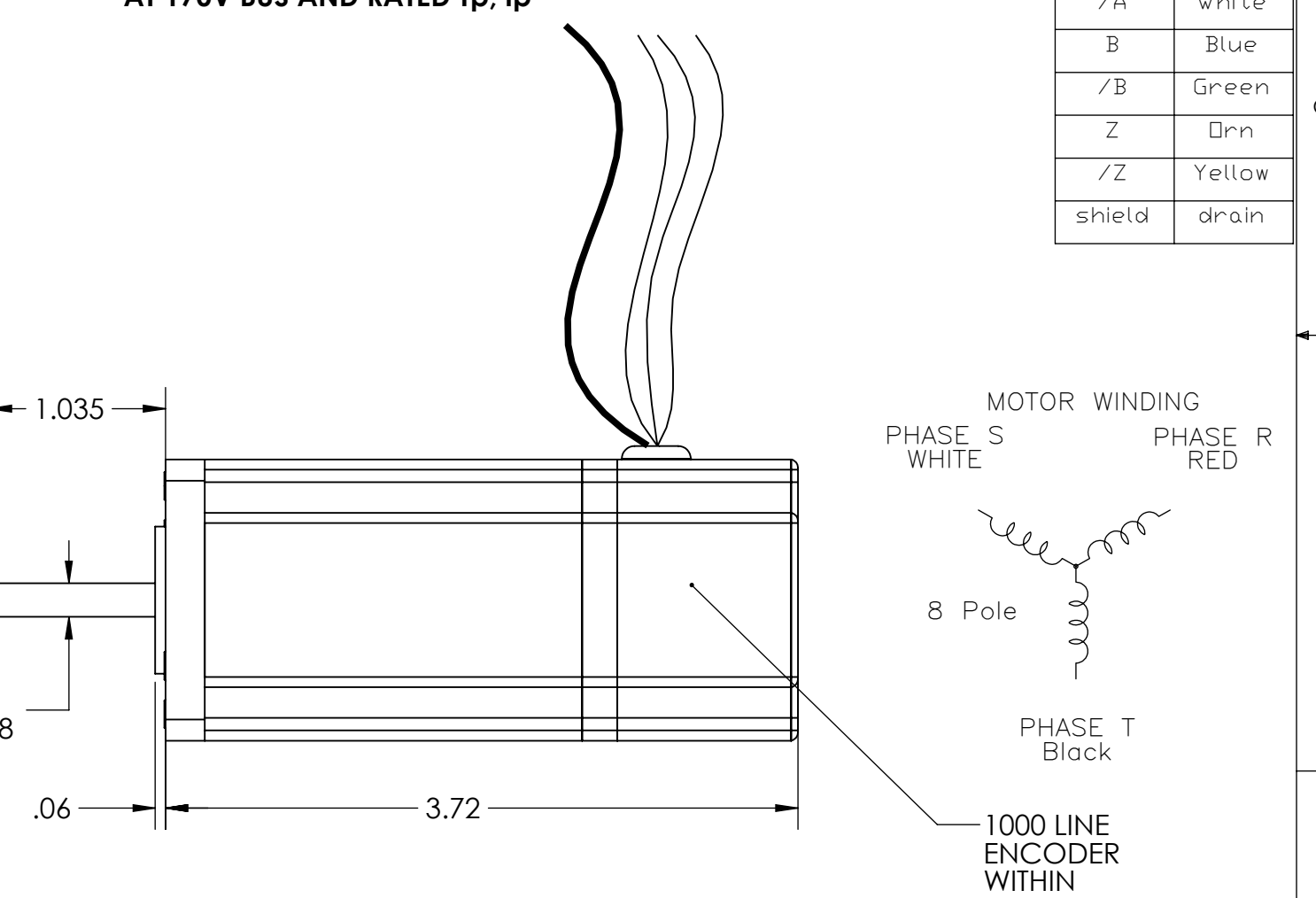
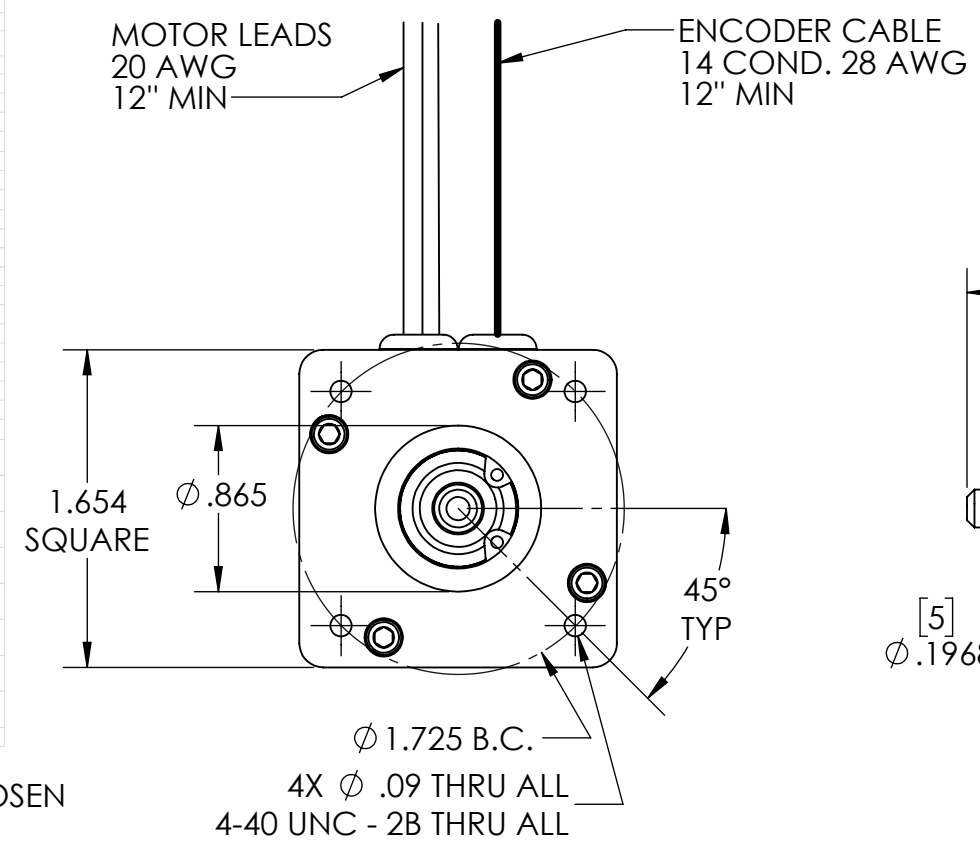
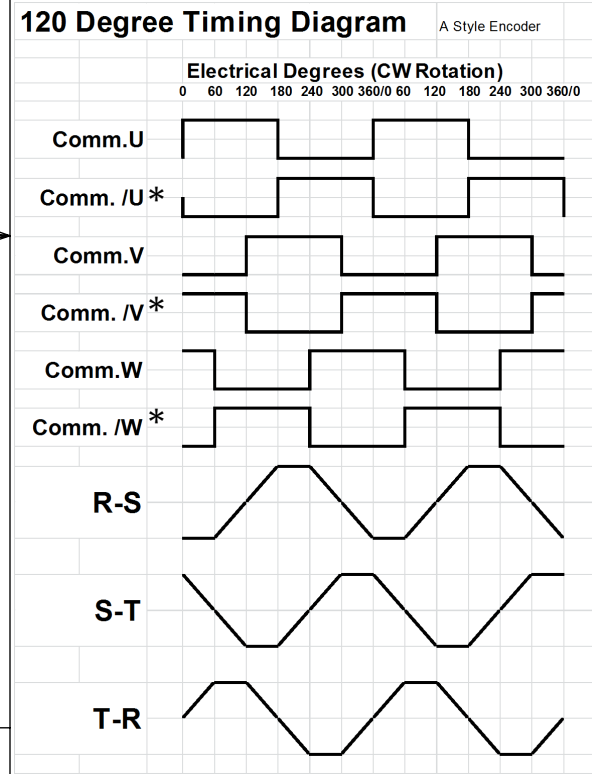


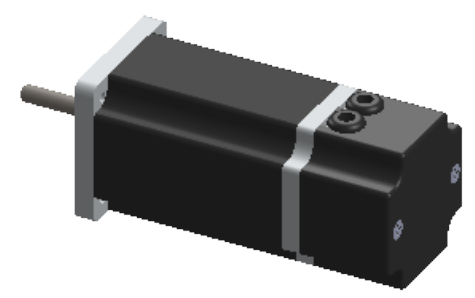
MTF0401K5.68				
Property	Symbol	Units	Value	Tolerance
Buss Voltage	Vb	Volts	170	MAX
Max Operating Speed	Sr	RPM	6000	MAX
Peak Torque	Tp	Oz-in	182.4	MAX
Continuous Torque	Tc	Oz-in	53.2	MAX
Torque Constant	Kt	Oz-in/A	10.93	±10%
Friction Torque	Tf	Oz-in	1.28	Nom
Damping Torque	Kd	Oi/kRPM	.192	Nom
Peak Current	Ip	A MAX	16.69	MAX
Continuous Current	Ic	A MAX	4.87	MAX
Back EMF Constant	Ke	V/kRPM	8.52	±10%
Terminal Resistance	Rt	Ohms	2.65	±15%
Terminal Inductance	Lt	mH	.85	±15%
Rotor Inertia	Jr	Oiss	.0011	Nom
Winding Temperature	deg C	deg C	145	MAX
Weight	Wt	Lbs	2	Nom



Enc/Comm Cable 28 AWG	
Function	Color
+5v	Red
Gnd	Black
U	Violet
/U*	Gray
V	Wht/Brn
/V*	Wht/Red
W	Wht/Orn
/W*	Wht/Yel
A	Brown
/A	White
B	Blue
/B	Green
Z	Orn
/Z	Yellow
shield	drain



\* ONLY IF ( A ) STYLE ENCODER IS CHOSEN



REVISIONS			
DESCRIPTION	REV.	DATE	APPV'D
TO SOLIDWORKS	P1	1/12/2017	

**PROPRIETARY AND CONFIDENTIAL**  
 THE INFORMATION CONTAINED IN THIS DRAWING IS CONFIDENTIAL AND THE SOLE PROPERTY OF TRU TECH SPECIALTY MOTORS. ANY REPRODUCTION IN PART OR AS A WHOLE WITHOUT THE WRITTEN PERMISSION OF TRU TECH SPECIALTY MOTORS IS PROHIBITED.

UNLESS OTHERWISE SPECIFIED  
 DIMENSIONS: Inches [MILLIMETERS]  
 TOLERANCES:  
 LINEAR X.XX: ±.01 [.25]  
 LINEAR X.XXX: ±.005 [.13]  
 ANGULAR: ± 1/2°

**TruTech Specialty Motors**

SIZE: **B** TITLE: MTF0403K8.52-E1000B

MATERIAL		DATE	1/11/2017	SIGNATURE	JAL	PART NUMBER:	53-0379	P1
FINISH		DRAWN						REV
PROJECT	FastTrack	CHK'D						
STATUS	ACTIVE	APPV'D						

SCALE: 1:1 SHEET 1 OF 1