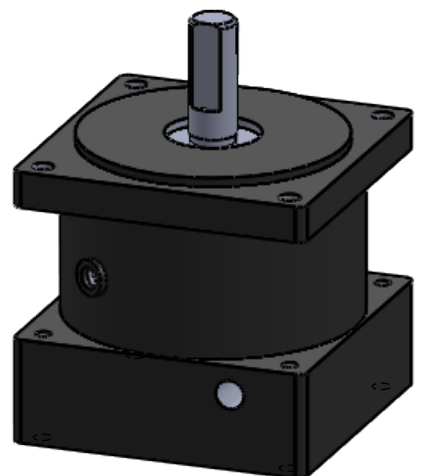
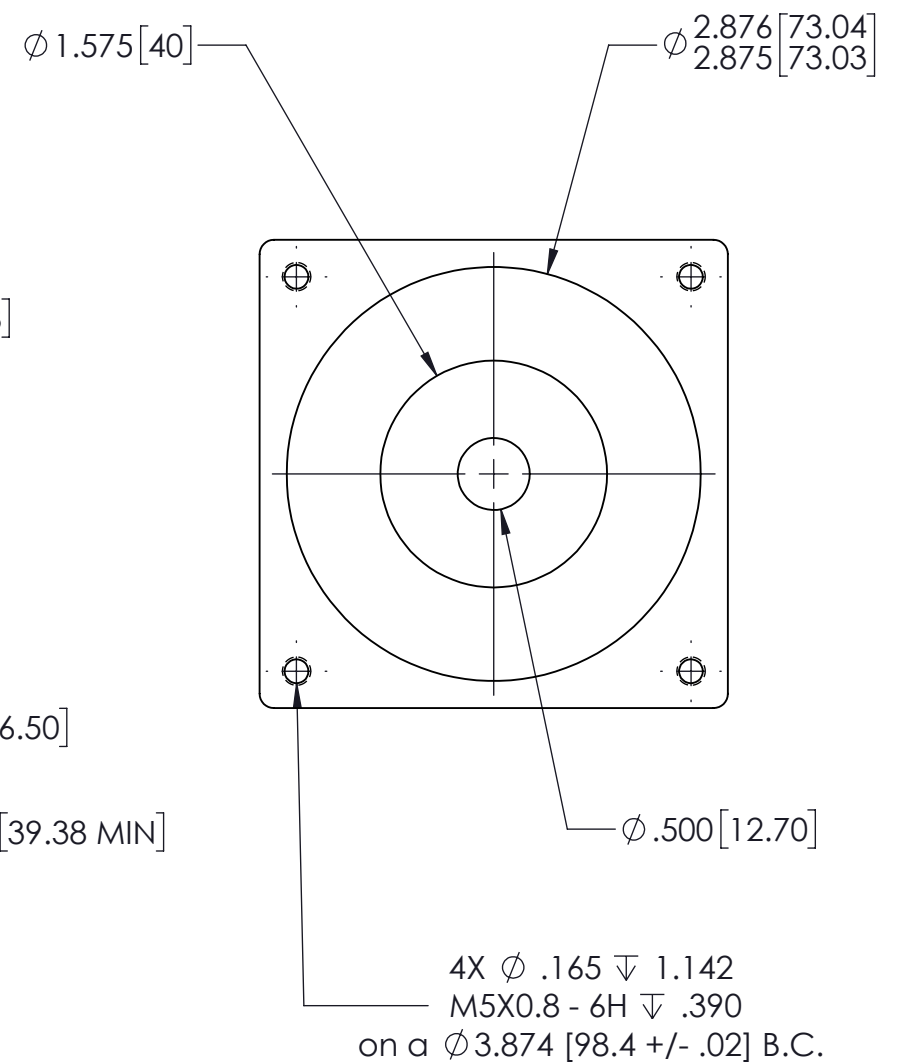
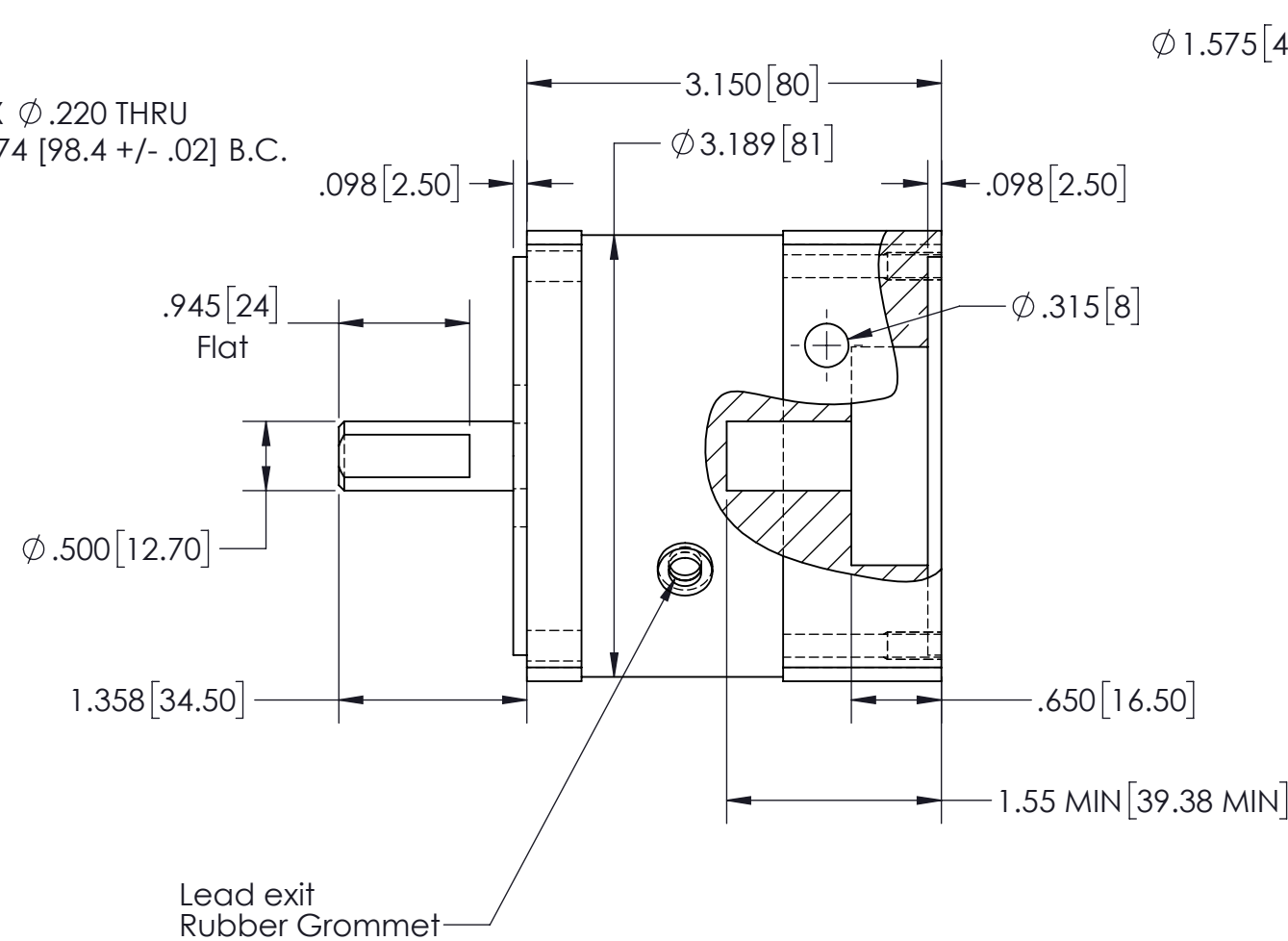
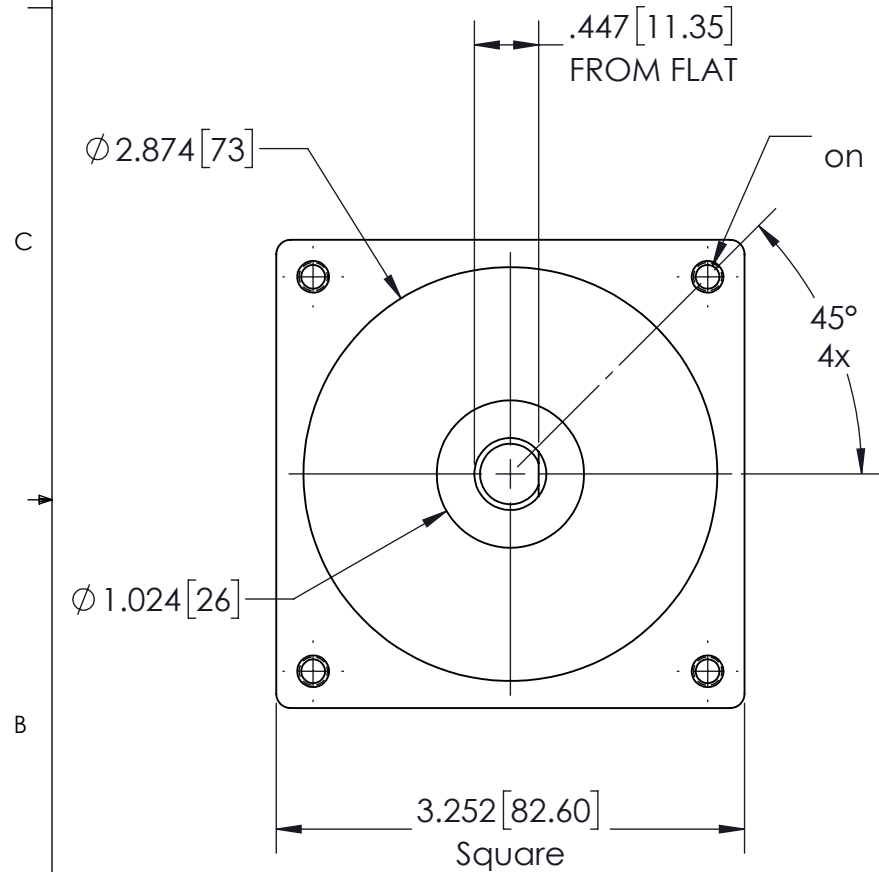


Brake Characteristics					
Voltage	Resistance	Current	Static Torque	Power	Weight
VDC	Ohms	A	N*m	W	g
24	58	0.41	1.68	9.8	500



REVISIONS			
DESCRIPTION	REV.	DATE	APPVD
TO SOLIDWORKS	P1	2/9/2017	

**PROPRIETARY AND CONFIDENTIAL**  
 THE INFORMATION CONTAINED IN THIS DRAWING IS CONFIDENTIAL AND THE SOLE PROPERTY OF TRU TECH SPECIALTY MOTORS. ANY REPRODUCTION IN PART OR AS A WHOLE WITHOUT THE WRITTEN PERMISSION OF TRU TECH SPECIALTY MOTORS IS PROHIBITED.

**UNLESS OTHERWISE SPECIFIED**  
 DIMENSIONS:  
 Inches [MILLIMETERS]  
 TOLERANCES:  
 LINEAR X.XX:  $\pm .01 [ .25]$   
 LINEAR X.XXX:  $\pm .005 [ .13]$   
 ANGULAR:  $\pm 1/2^\circ$

**TruTech Specialty Motors**  
**B** SIZE TITLE:  
**24V BRAKE, NEMA 34 FRAME**  
 DATE: 2/9/2017 SIGNATURE: JAL PART NUMBER: 53-0331 P1 REV  
 SCALE: 3:4 SHEET 1 OF 1