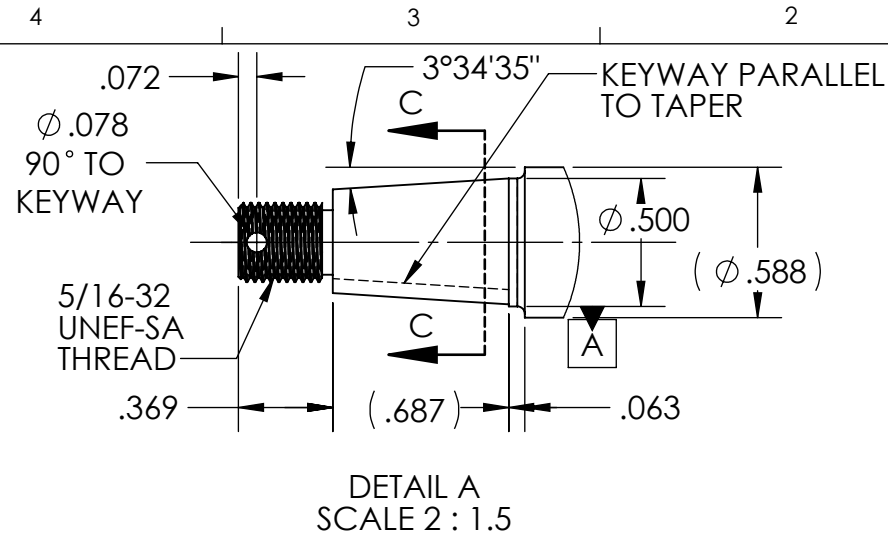
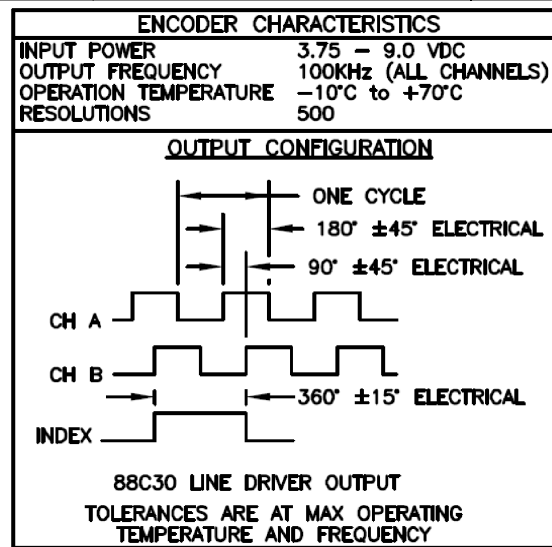
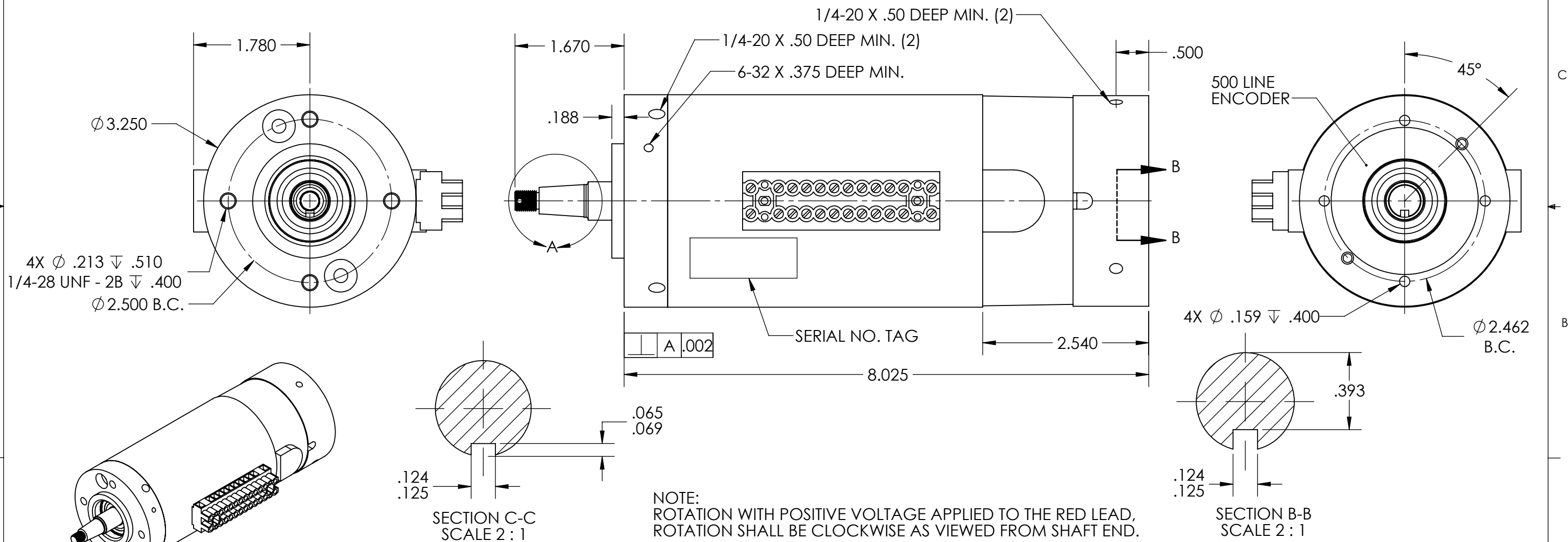


ICM 86 BRUSH MOTOR, GEN 2				
Property	Symbol	Units	Value	Tolerance
Buss Voltage	Vb	Volts	120	MAX
Max Operating Speed	Sr	RPM	2632	MAX
Continuous Torque	Tc	Oz-in	170	MIN
Torque Constant	Kt	Oz-in/A	61.6	±10%
Continuous Current	Ic	A MAX	2.75	MAX
Back EMF Constant	Ke	V/kRPM	45.6	±10%
Terminal Resistance	Rt	Ohms	5.9	±15%
Terminal Inductance	Lt	mH	15.6	±15%
Rotor Inertia	Jr	Oiss	.050	Nom
Winding Temperature	deg C	deg C	135	MAX
Weight	Wt	Lbs	11	Nom



CONNECTION CHART	
POSITION	FUNCTION
1	SHIELD/GROUND
2	N/C
3	N/C
4	N/C
5	CHANNEL B
6	CHANNEL B
7	CHANNEL A
8	CHANNEL A
9	GND
10	+5 VDC
11	MOTOR -
12	MOTOR +



Customer Approval: _____

REVISIONS			
DESCRIPTION	REV.	DATE	APPV'D
PRELIMINARY	P1	2/15/2017	

PROPRIETARY AND CONFIDENTIAL
 THE INFORMATION CONTAINED IN THIS DRAWING IS CONFIDENTIAL AND THE SOLE PROPERTY OF TRU TECH SPECIALTY MOTORS. ANY REPRODUCTION IN PART OR AS A WHOLE WITHOUT THE WRITTEN PERMISSION OF TRU TECH SPECIALTY MOTORS IS PROHIBITED.

UNLESS OTHERWISE SPECIFIED	
DIMENSIONS: Inches [MILLIMETERS]	
TOLERANCES: LINEAR X.XX: ±.01 [.25] LINEAR X.XXX: ±.005 [.13] ANGULAR: ± 1/2°	
MATERIAL	
FINISH	
PROJECT	
STATUS	

TruTech Specialty Motors

SIZE	TITLE:
B	ICM 86 BRUSH MOTOR, GEN 2
DATE	SIGNATURE
	PART NUMBER:
	53-0324
	P1 REV

SCALE: 1:1.5 SHEET 1 OF 1