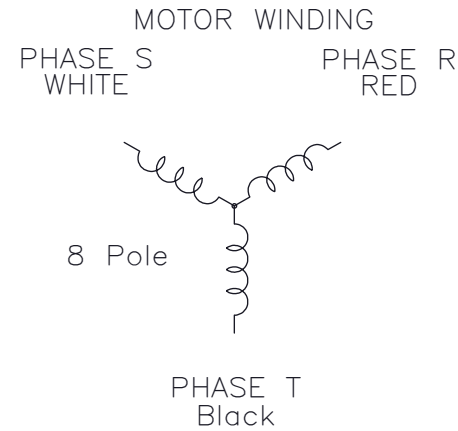
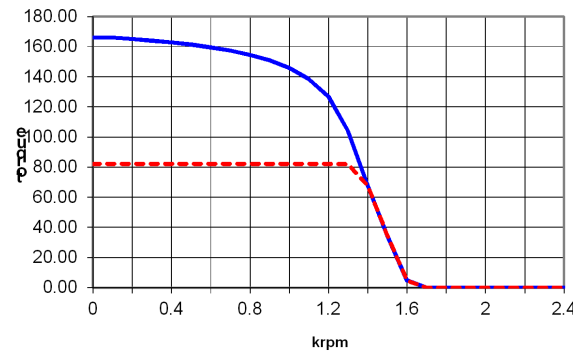
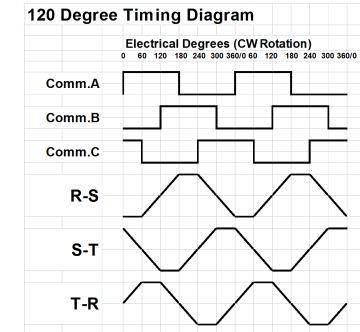
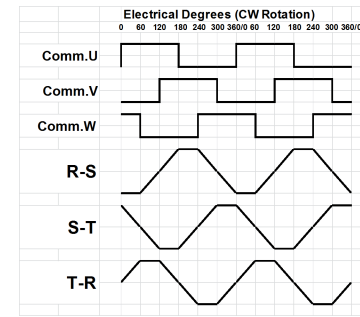


MTS1103k74-E1000B				
Property	Symbol	Units	Value	Tolerance
Buss Voltage	Vb	Volts	120	MAX
Max Operating Speed	Sr	RPM	2000	MAX
Peak Torque	Tp	Lb*in	166.64	MAX
Continuous Torque	Tc	Lb*in	83.32	MAX
Torque Constant	Kt	Lb*in/A	5.952	±10%
Friction Torque	Tf	Lb*in	1.2	Nom
Damping Torque	Kd	li/kRPM	0.12	Nom
Peak Current	Ip	A MAX	28.0	MAX
Continuous Current	Ic	A MAX	14.00	MAX
Back EMF Constant	Ke	V/kRPM	74.25	±10%
Terminal Resistance	Rt	Ohms	0.564	±15%
Terminal Inductance	Lt	mH	1.054	±15%
Rotor Inertia	Jr	LISS	0.00918	Nom
Winding Temperature	deg C	deg C	145	MAX
Weight	Wt	Lbs	32	Nom

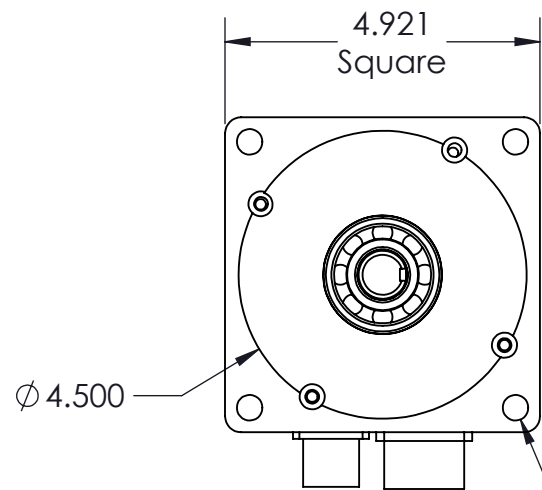


S-T Curve is based on MRV51 Data Provided
Speed and Buss Voltage are estimated values

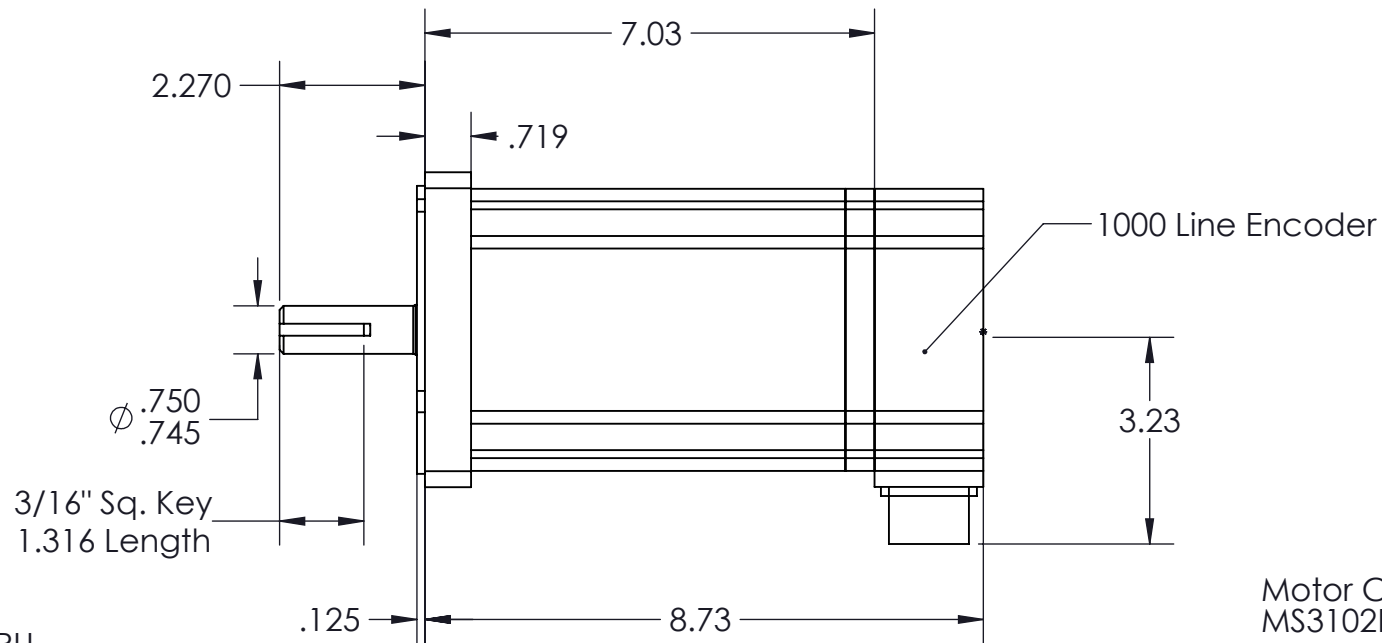
Customer Approval: _____



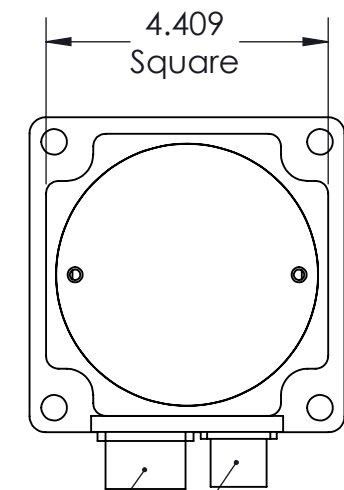
Feedback Connector	
Pin	Function
A	Therm
B	Therm
C	V
D	Z
E	/Z
F	A
G	/A
H	GND
J	N.C.
K	+5V
L	N.C.
M	U
N	B
P	/B
R	W
S	N.C.
T	N.C.
U	N.C.
Y	N.C.



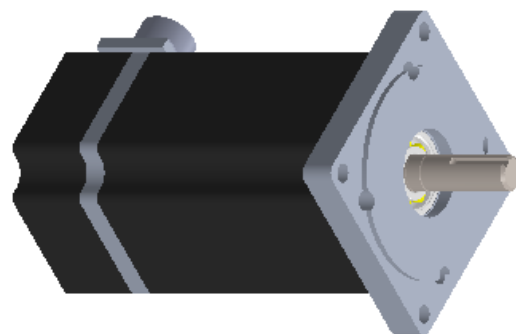
4x ϕ .400 THRU
on ϕ 5.875 B.C.



Motor Connector
MS3102E20-4P



Sensor/Encoder Connector
MS3102E14-19P



DATE	Revision	UNLESS OTHERWISE SPECIFIED:	TruTech Specialty Motors			
P1	Preliminary	DIMENSIONS: INCHES [Millimeters]	NAME	DATE	TITLE:	
P2	Corrected Pinout Chart	TOLERANCES: ANGULAR: $\pm 1/2^\circ$ TWO PLACE DECIMAL $\pm .01$ [.25] THREE PLACE DECIMAL $\pm .005$ [.13]	DRAWN	Matt	2/18/2014	MTS1103k74-E1000B
		Motor Class	CHECKED			SIZE Part Number: REV
		Production Level: Prototype	ENG APPR.			B 53-0283 P2
		Material:	COMMENTS:			SCALE: 1:3 SHEET 1 OF 1
		Project: Tolomatic				

PROPRIETARY AND CONFIDENTIAL
THE INFORMATION CONTAINED IN THIS DRAWING IS CONFIDENTIAL AND THE SOLE PROPERTY OF TRU TECH SPECIALTY MOTORS. ANY REPRODUCTION IN PART OR AS A WHOLE WITHOUT THE WRITTEN PERMISSION OF TRU TECH SPECIALTY MOTORS IS PROHIBITED.