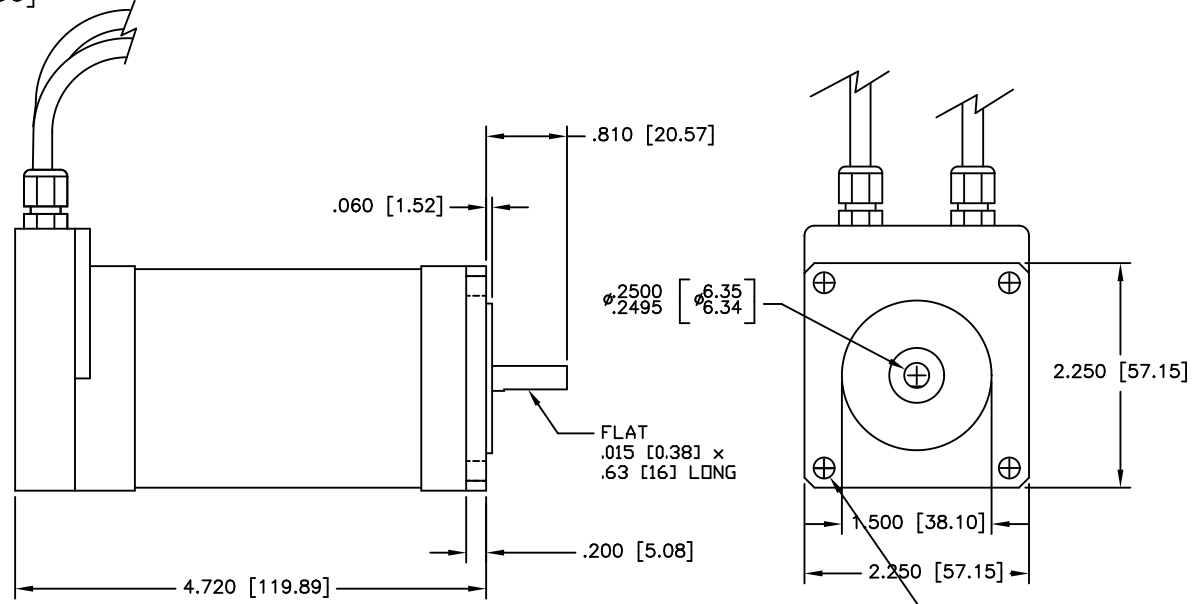
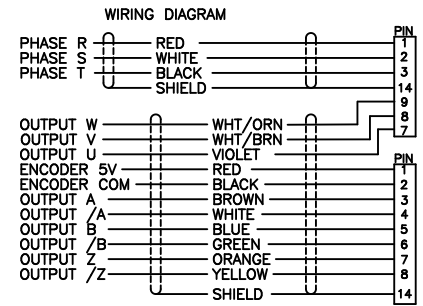
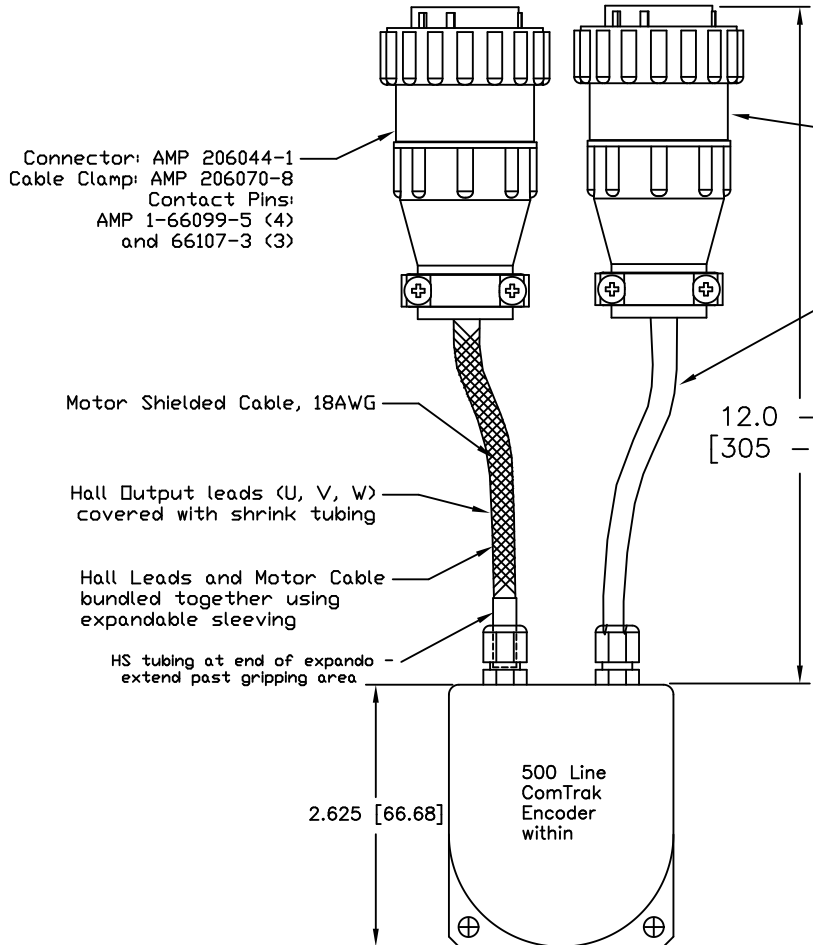
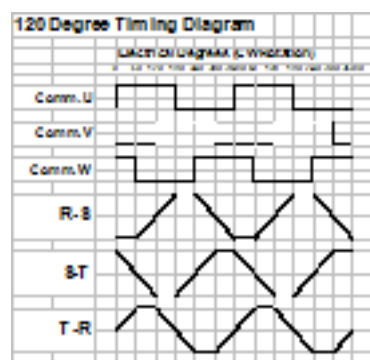


REVISIONS		
REV	DESCRIPTION	DATE
P1	PRELIMINARY	3/19/12
P2	changed wire colors, R&L	7/9/12
P3	added HS tube at motor cable SR	8/10/12
P4	Added Approval Line	4/30/13

Customer Approval: \_\_\_\_\_



MOTOR CHARACTERISTICS @25°C			
	TOL.	UNITS	VALUE
MAX. OPERATING SPEED (S <sub>nl</sub> )	MAX.	R.P.M.	6000
CONTINUOUS TORQUE (T <sub>c</sub> )	MAX.	OZ-IN	55
PEAK TORQUE (T <sub>p</sub> )	MAX.	OZ-IN	165
CONTINUOUS CURRENT (I <sub>c</sub> )	MAX.	AMPS	4.2
PEAK CURRENT (I <sub>p</sub> )	MAX.	AMPS	12.5
TORQUE SENSITIVITY (K <sub>t</sub> )	±10%	OZ-IN/AMPS	13.8
BACK EMF CONSTANT (K <sub>e</sub> ) (L-L, D.C.)	±10%	V/K R.P.M.	10.22
D.C. RESISTANCE (R <sub>t</sub> ) (L-L)	±10%	OHMS	2.2
INDUCTANCE (L) (L-L)	±15%	mH	3.4
DAMPING TORQUE (T <sub>d</sub> )	NOM.	OZ-IN/KRPM	.38
FRICTION TORQUE (T <sub>f</sub> )	NOM.	OZ-IN	2.18
ROTOR INERTIA (J <sub>a</sub> )	NOM.	OZ-IN-SEC <sup>2</sup>	.0025
WINDING TEMPERATURE	MAX.	°C	125
WEIGHT	NOM.	LBS	2.28



DIMENSIONS: INCHES [MILLIMETERS]

**TruTech Specialty Motors**

TITLE: CHS0573k10.2-E500

MATERIAL	TOLERANCES ON DECIMALS	NUMBER
61-0121	XX ±.010 [0.25] XXX ±.005 [0.13] ANGLES ±1/2°	53-0202
SCALE NONE		SHEET 1 of 1