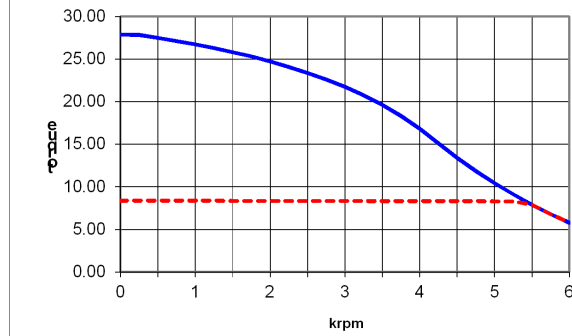
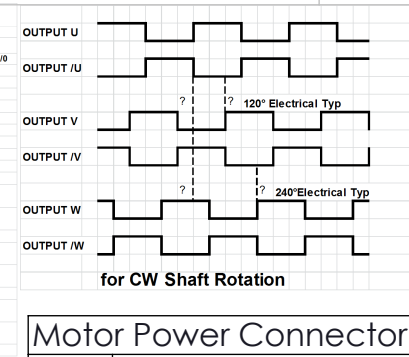
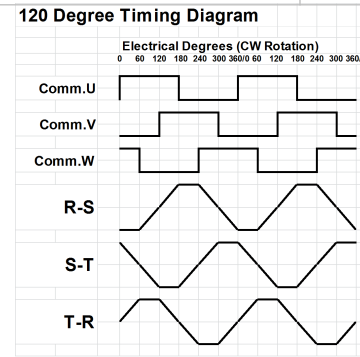
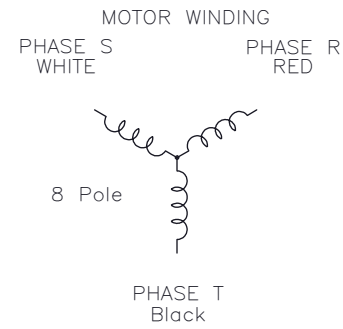


MTA0572k20-1000B				
Property	Symbol	Units	Value	Tolerance
Buss Voltage	Vb	Volts	150	MAX
Max Operating Speed	Sr	RPM	6000	MAX
Peak Torque	Tp	lb*in	30	MAX
Continuous Torque	Tc	lb*in	9	MAX
Torque Constant	Kt	lb*in/A	1.64	±10%
Peak Current	Ip	A MAX	18.3	MAX
Continuous Current	Ic	A MAX	5.5	MAX
Back EMF Constant	Ke	V/kRPM	20	±10%
Terminal Resistance	Rt	Ohms	1.87	±15%
Terminal Inductance	Lt	mH	2.0	±15%
Rotor Inertia	Jr	LISS	0.0003	Nom
Friction Torque	Tf	lb*in	0.1	Nom
Damping Torque	Kd	li/krpm	0.02	Nom
Winding Temperature	deg C	deg C	125	MAX
Weight	Wt	Lbs	3.1	Nom



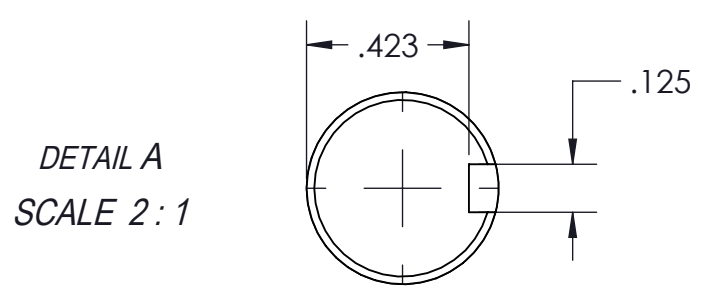
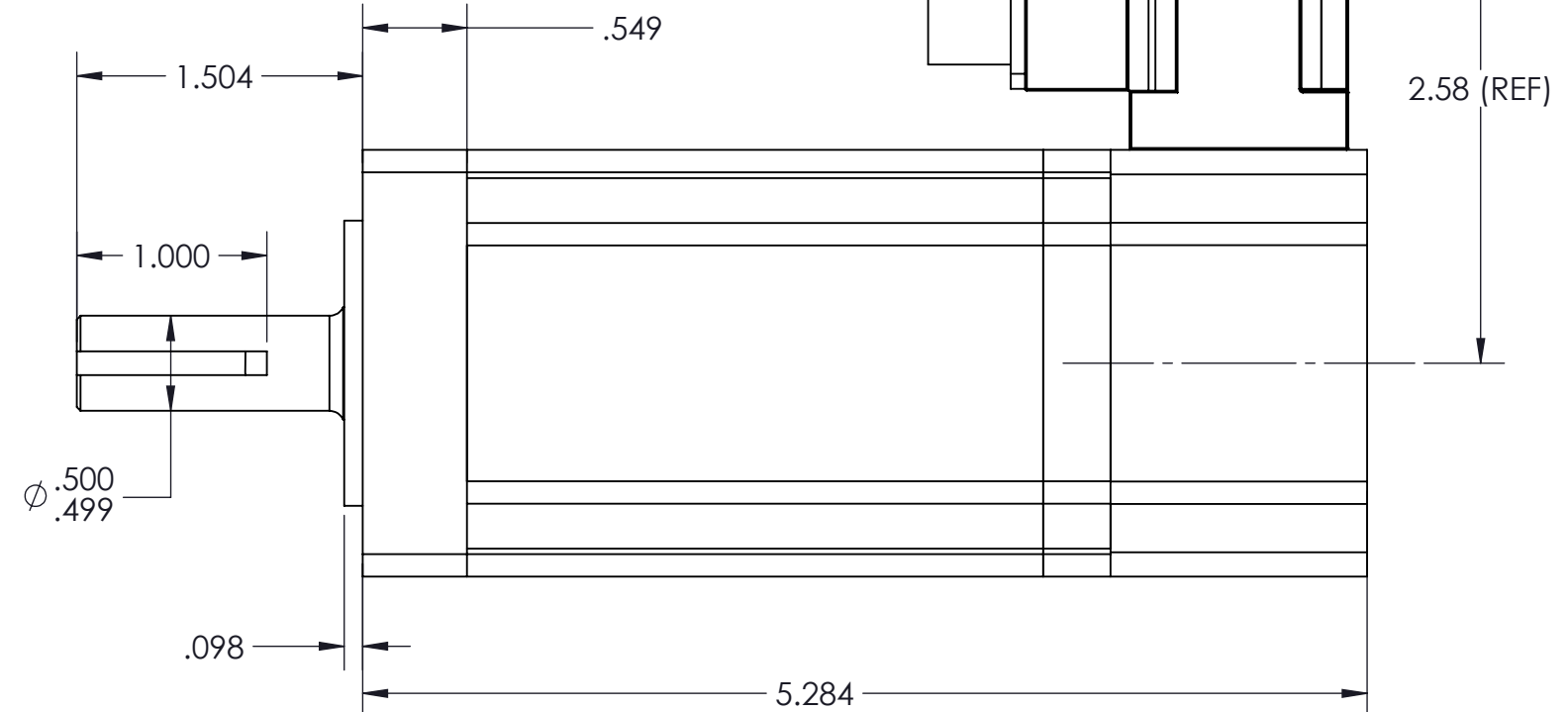
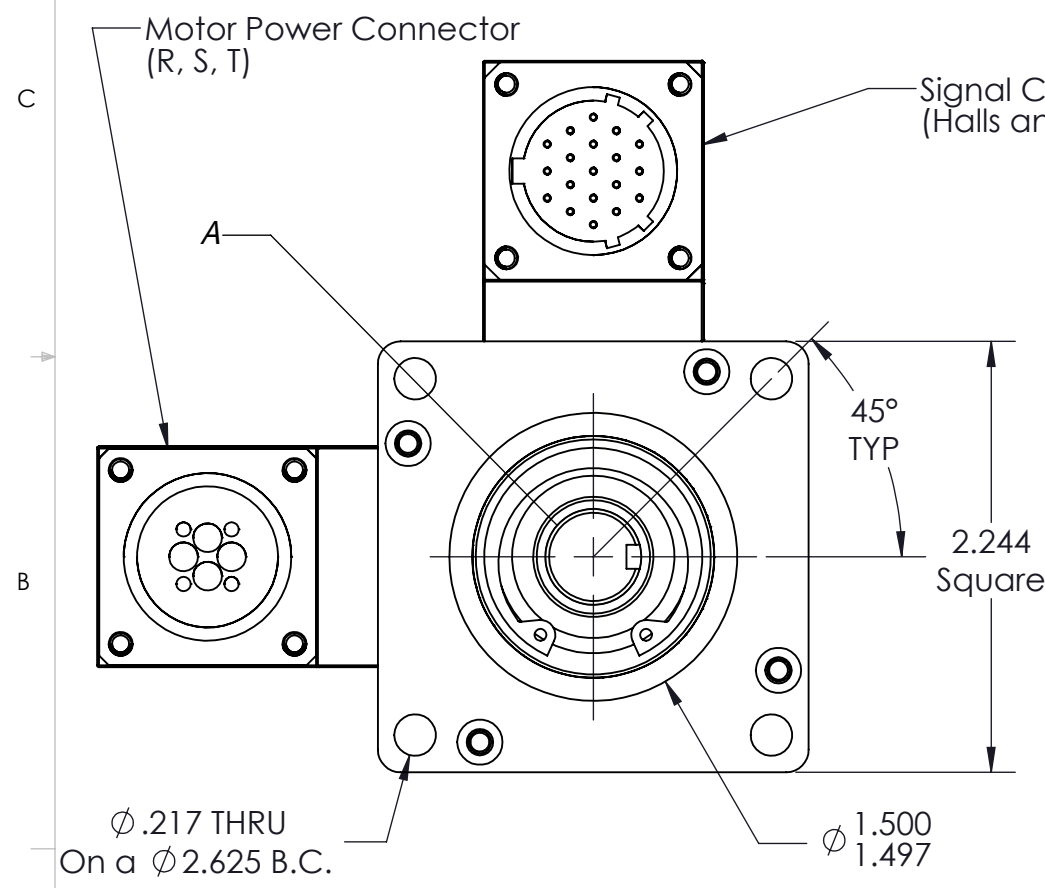
S-T Curve generated under following conditions;
150vdc Bus Voltage, Peak/Cont. Current 18.3A/5.5A and
a maximum speed of 6000rpm



Pin #	Function
1	Phase R
2	Phase S
3	Phase T
4	Ground

Feedback Connector	
Pin	Function
A	Therm
B	Therm
C	V
D	Z
E	/Z
F	A
G	/A
H	GND
J	N.C.
K	+5V
L	N.C.
M	U
N	B
P	/B
R	W
S	N.C.
T	N.C.
U	N.C.
Y	N.C.

◇ Snap Action Thermostat
Embedded in windings,
normally closed, opens at
135°C



PROPRIETARY AND CONFIDENTIAL
THE INFORMATION CONTAINED IN THIS
DRAWING IS CONFIDENTIAL AND
THE SOLE PROPERTY OF TRU TECH SPECIALTY
MOTORS. ANY REPRODUCTION IN PART OR
AS A WHOLE WITHOUT THE WRITTEN
PERMISSION OF TRU TECH SPECIALTY
MOTORS IS PROHIBITED.

DATE	Revision	UNLESS OTHERWISE SPECIFIED:		TruTech Specialty Motors		
1/12/15	Preliminary	DIMENSIONS: INCHES [Millimeters]		DRAWN	NAME	DATE
		TOLERANCES: ANGULAR: ±1/2° TWO PLACE DECIMAL ±.01 [.25] THREE PLACE DECIMAL ±.005 [.13]		CHECKED	MR	1/12/15
		Motor Class		ENG APPR.		TITLE: MTA0572k20-E1000B
		Production Level:		COMMENTS:		SIZE Part Number: REV B 53-0128 P3
		Material:				SCALE: 1:1 SHEET 1 OF 1
		Project: Tolomatic Replacement				