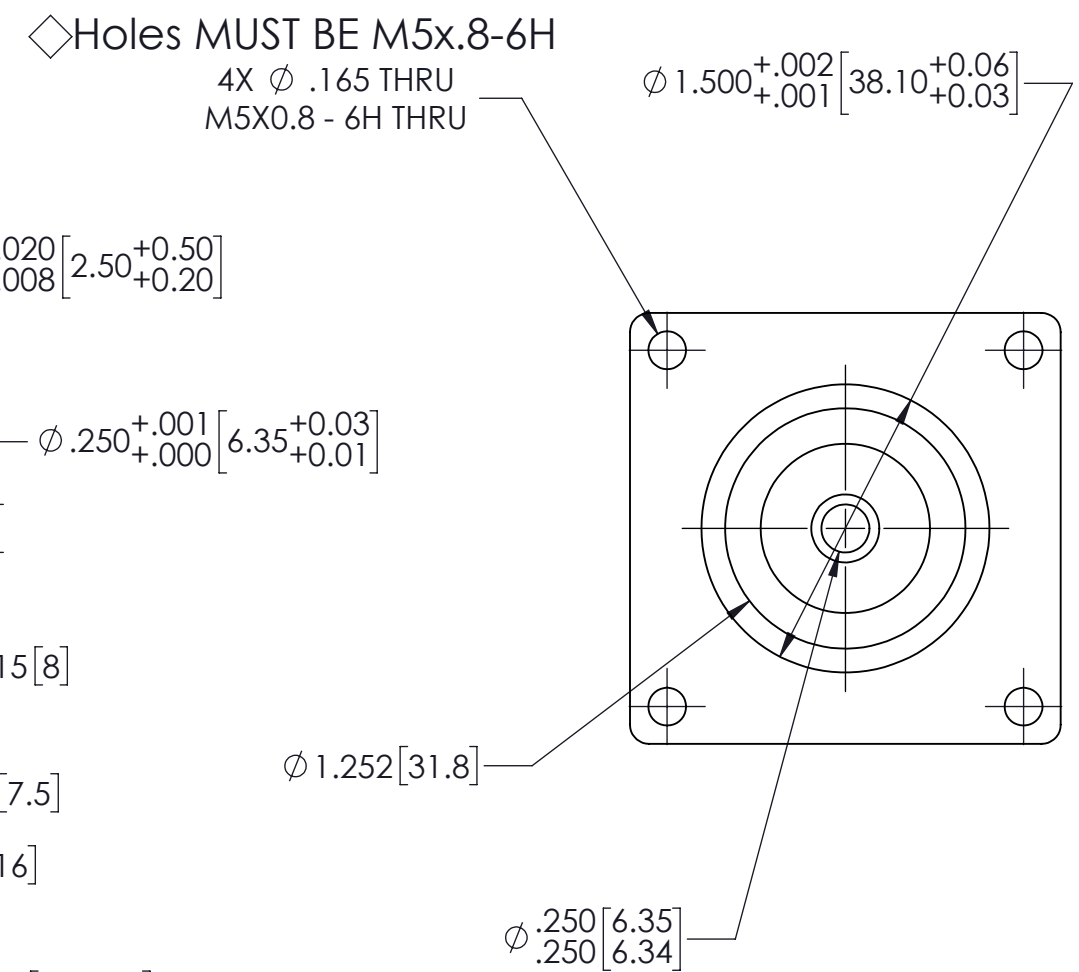
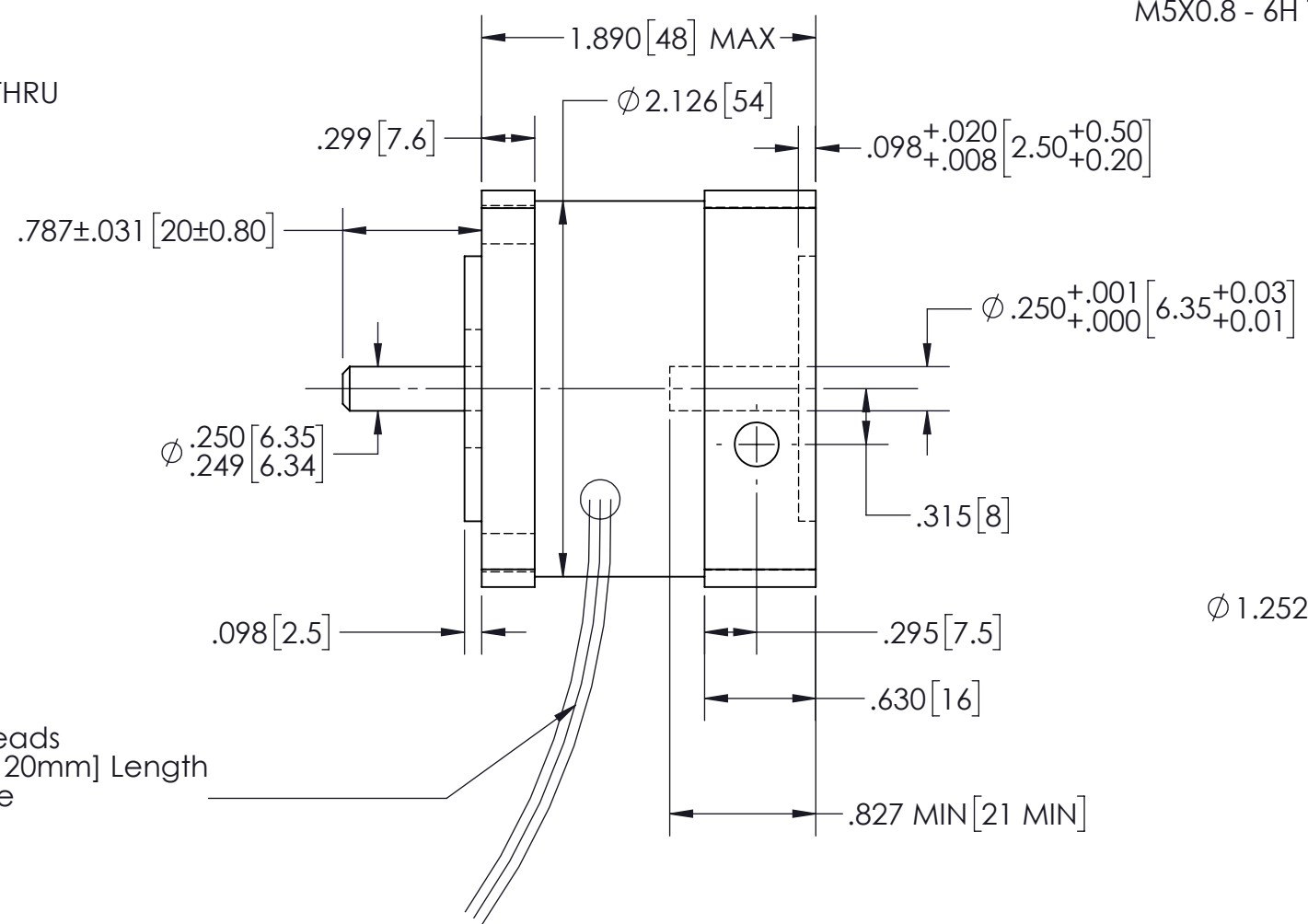
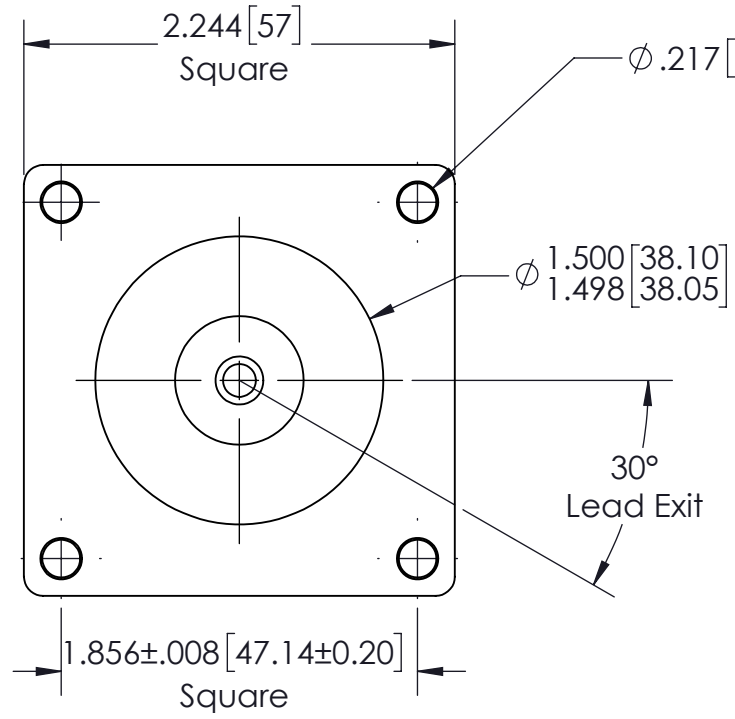
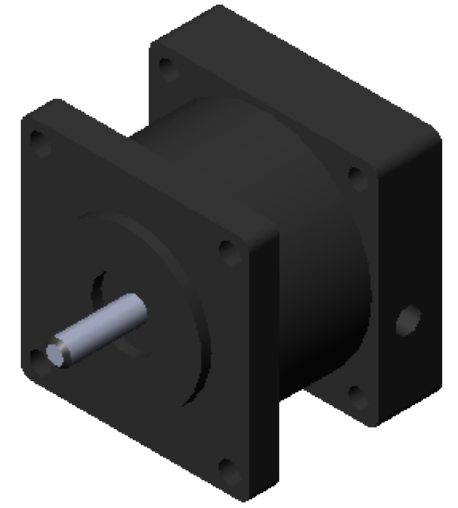


| Brake Characteristics |            |         |               |       |        |
|-----------------------|------------|---------|---------------|-------|--------|
| Voltage               | Resistance | Current | Static Torque | Power | Weight |
| VDC                   | Ohms       | A       | N*m           | W     | g      |
| 24                    | 78         | 0.31    | 0.5           | 7.3   | 400    |



Brake Leads  
19.685 ±.787 [500±20mm] Length  
White

◇Holes MUST BE M5x.8-6H  
4X  $\phi$  .165 THRU  
M5X0.8 - 6H THRU



**PROPRIETARY AND CONFIDENTIAL**  
THE INFORMATION CONTAINED IN THIS DRAWING IS CONFIDENTIAL AND THE SOLE PROPERTY OF TRU TECH SPECIALTY MOTORS. ANY REPRODUCTION IN PART OR AS A WHOLE WITHOUT THE WRITTEN PERMISSION OF TRU TECH SPECIALTY MOTORS IS PROHIBITED.

| DATE | Revision      | UNLESS OTHERWISE SPECIFIED:  |
|------|---------------|--|
| P1   | To SolidWorks | DIMENSIONS: INCHES [Millimeters]   |
|      |               | TOLERANCES:<br>ANGULAR: $\pm 1/2^\circ$<br>TWO PLACE DECIMAL $\pm .01$ [.25]<br>THREE PLACE DECIMAL $\pm .005$ [.13] |
|      |               | Status:<br>Approval  |
|      |               | Production Level:  |
|      |               | Reference Part No:   |
|      |               | Project:   |

| TruTech Specialty Motors |                                     |                   |
|--------------------------|-------------------------------------|-------------------|
| DRAWN                    | NAME<br>Matt                        | DATE<br>5/12/2014 |
| CHECKED                  |                                     |                   |
| ENG APPR.                |                                     |                   |
| COMMENTS:                |                                     |                   |
| SIZE<br><b>B</b>         | Sub Assembly. NO.<br><b>53-0108</b> | REV<br><b>P1</b>  |
| SCALE: 1:1               |                                     | SHEET 1 OF 1      |

TITLE:  
**Nema 23 Brake  
24V**