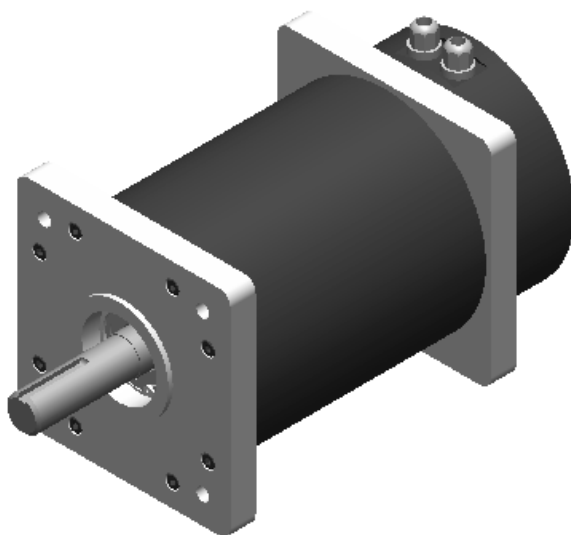
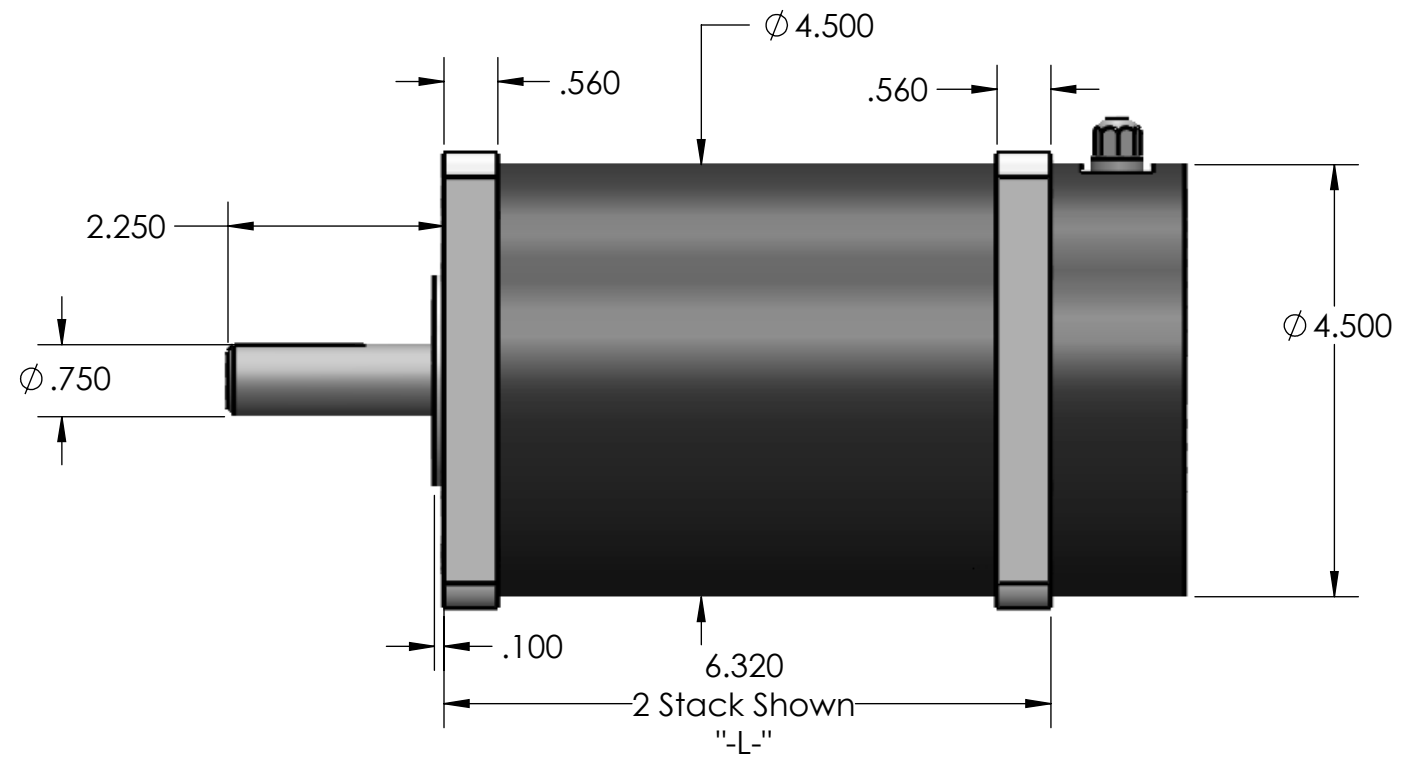
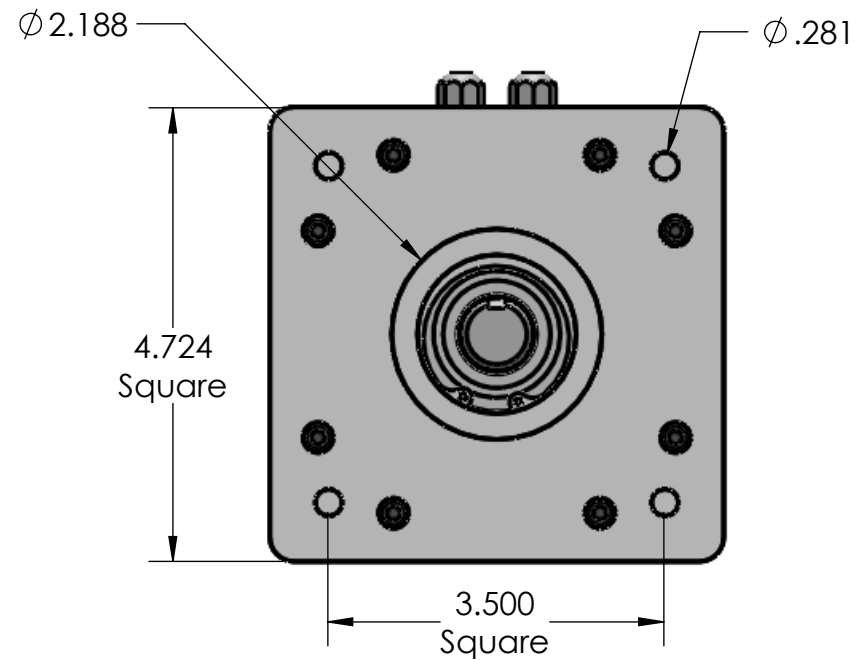


Motor Length	
Stack Size	"-L"
1 Stack	4.942
2 Stack	6.320
3 Stack	7.698
4 Stack	9.080



**PROPRIETARY AND CONFIDENTIAL**  
 THE INFORMATION CONTAINED IN THIS DRAWING IS CONFIDENTIAL AND THE SOLE PROPERTY OF TRU TECH SPECIALTY MOTORS. ANY REPRODUCTION IN PART OR AS A WHOLE WITHOUT THE WRITTEN PERMISSION OF TRU TECH SPECIALTY MOTORS IS PROHIBITED.

DATE	Revision	UNLESS OTHERWISE SPECIFIED:		<i>TruTech Specialty Motors</i>		
		DIMENSIONS: INCHES [Millimeters]			NAME	DATE
		TOLERANCES:		DRAWN	Brandon	
		ANGULAR: $\pm 1/2^\circ$		CHECKED		
		TWO PLACE DECIMAL $\pm .01 [.25]$		ENG APPR.		
		THREE PLACE DECIMAL $\pm .005 [.13]$		COMMENTS:		
		Status:		Approval		
		Production Level:		Prototype		
		Reference Part No:				
		Project:				
				TITLE:		M110 Motor Class
				SIZE	Sub Assembly. NO.	REV
				<b>B</b>		<b>PX</b>
				SCALE: 1:2		SHEET 1 OF 1